

DOT & ASME Multivalves® for Vapor Withdrawal 6555R, 8555D and 8555R Series

Application

These Multivalves® permit vapor withdrawal. They allow for container filling without interrupting gas service.

The 6555R Series is designed for ASME containers with up to 25 ft² surface area or 60 gallons water capacity.

The 8555D and 8555R Series are designed for DOT cylinders with up to 200 lbs. propane capacity.

Features

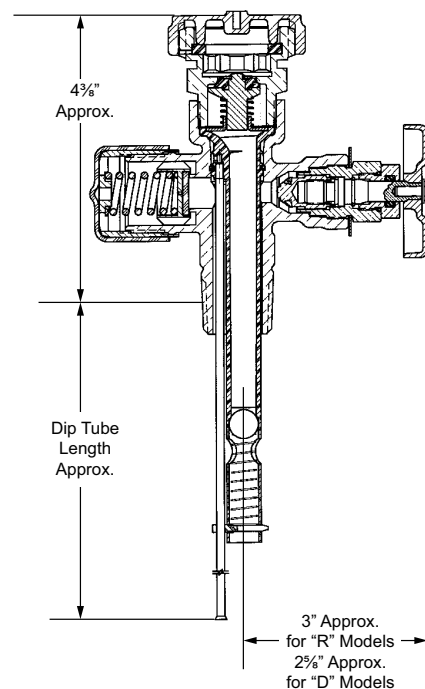
- Incorporates service valve, high capacity filler valve with integral back-check, fixed liquid level gauge and pressure relief valve in one single unit.
- Filler Valve is high capacity with integral back check.
- Heavy duty O-ring stem seal provides positive leak proof seal.
- Tapered nylon shut-off seat disc in fully confined seat ensures easy, leak-free, positive shut-off.
- 1½" wrenching flats.
- The MultiBonnet® assembly option allows quick and easy repair of bonnet.

Materials

Body Forged Brass
 Handwheel..... Aluminum Die Cast
 Valve Stems..... Brass
 O-Rings Resilient Rubber
 Seat Disc (shut-off valve) Nylon
 Seat Disc (others)..... Resilient Rubber
 Relief Spring..... Stainless Steel



8555R



Liquid Filling Rates

Part Number	Approximate Filling Rate Liquid Flow, GPM			
	Pressure Drop Across Valve			
	10 PSIG	25 PSIG	50 PSIG	100 PSIG
**6555D Series	8	23	34	42
**6555R Series				
**8555D Series				
**8555R Series				



Ordering Information

Part Number	Bonnet Style	Application	For Use In Containers with Size Up To:	Dip Tube Length w/ Deflector	Container Connection	Service Connection	Filling Connection	Fixed Liquid Level Vent Valve	Pressure Relief Valve		
									Setting	Flow Capacity*	
										UL Listing	ASME
**6555R10.6	MultiBonnet® assembly	ASME Containers	25 ft² surface area or 60 gallons water capacity	10.6"	¾" M. NGT	F. POL (CGA 510)	1¾" M. ACME	Yes	250 PSIG	793 SCFM, air	700 SCFM, air
**6555R11.6				11.6"							
**6555R12.0				12.0"							
**8555D10.6	Standard	DOT Cylinders	200 lbs. Propane **	10.6"	¾" M. NGT	F. POL (CGA 510)	1¾" M. ACME	Yes	375 PSIG	n/a	n/a
**8555R10.6	MultiBonnet® assembly			10.6"							
**8555D11.6	Standard			11.6"							
**8555R11.6	MultiBonnet® assembly			11.6"							

*Per CGA Pamphlet S-1.1.

**72 orifice low emission version is also available.