

Low Pressure Second Stage Regulators - Special Settings

LV4403H Series

Application

Designed to reduce first stage pressure of 5 to 10 PSIG down to pressure higher than 11" water column, the actual pressure setting is specified in the table below. These regulators are designed for installations where the appliances require pressures greater than 11 inches w.c.

Features

- Large vent helps prevent blockage and has 3/4" F.NPT for vent piping.
- With 15 PSIG inlet pressure, regulator is designed to not pass more than 2 PSIG with the seat disc removed.
- Incorporates integral relief valves.
- Replaceable valve orifice and valve seat disc.
- Straight line valve closure reduces wear on seat disc.
- Unique bonnet vent profile minimizes vent freeze over when properly installed.
- Large molded diaphragm is extra sensitive to pressure changes.
- Built in pressure tap has plugged 1/8" F.NPT outlet. Plug can be removed with a 3/16" hex allen wrench.
- Select brown finish.

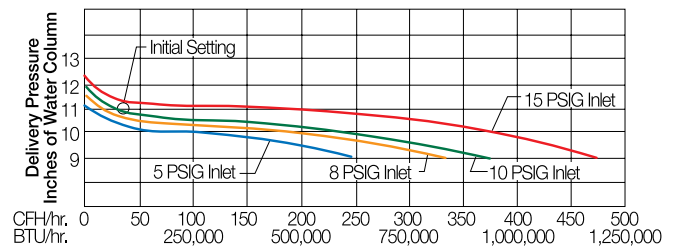
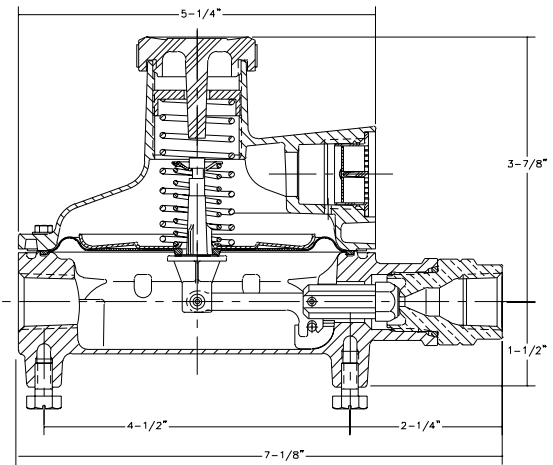
Materials

Body Die Cast Zinc
 Bonnet Die Cast Zinc
 Nozzle Orifice Brass
 Spring Steel
 Valve Seat Disc Resilient Rubber
 Diaphragm Integrated Fabric and Synthetic Rubber



LV4403H Series

LV4403H



Ordering Information

Part Number	Inlet Connection	Outlet Connection	Orifice Size	Delivery Pressure at 10 psig (0.69 barg) Inlet	Adjustment Range Inches w.c.	Adjustment Range Millibars	Bonnet Vent Position	Vapor Capacity BTU/hr. Propane**
LV4403H222	1/4" F.NPT	1/2" F.NPT	#28	22" w.c. (54.74 MBar)	15-35	37.32-87.94	Inlet	700,000
LV4403H414	1/2" F.NPT			14" w.c. (34.84 MBar)	12.5-19	31.12-47.28		
LV4403H420				20" w.c. (49.77 MBar)	15-35	37.32-87.94		
LV4403H4614		14" w.c. (34.84 MBar)		12.5-19	31.12-47.28			
LV4403H4620		20" w.c. (49.77 MBar)		15-35	37.32-87.94			
LV4403H6614	3/4" F.NPT	14" w.c. (34.84 MBar)		12.5-19	31.12-47.28			

* Maximum flow based on 10 PSIG inlet 20% drop in delivery pressure (5/1/08)