

Horizontal Lift Check Valves 8500 Series

Application

8500 series valves are designed for use as a check valve on cryogenic bulk stations and pipelines.

Features

- Replaceable Kel-F seat discs
- Self-centering cap holds plunger in position
- Each valve is cleaned and packaged for liquid oxygen service per CGA G-4.1
- 100% Factory Tested
- Working temperature range is -320°F to +165°F (-196°C to +74°C)
- Maximum working pressure is 600 psig MAWP (41.3 barg)
- 2 psig opening pressure

Materials

Body	Bronze
Cap	Brass
Plunger	Brass
Seat	PCTFE

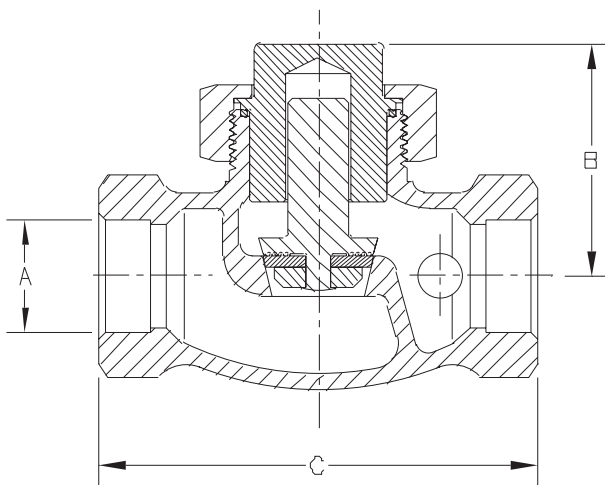
REGO
10
YEAR
WARRANTY



BK8508S



BK8512S



Ordering Information

Part Number	Inlet / Outlet Connection A	B		Length C		C _v (K _v)
		inches	mm	inches	mm	
BK8508S	1.128"-1.130"	2¼"	57.15	4 ¹⁵ / ₁₆ "	125.47	10 (8.65)
BK8508T	1" F.NPT					
BK8512S	1.629"-1.631"	3¼"	82.55	5 ³ / ₁₆ "	131.82	
BK8512T	1½" F.NPT					