

# Stainless Steel Globe Valve for Cryogenic Service

## 210 Series

### Features

- **Top Entry:** This valve can be permanently installed in the line and serviced from the top
- **Soft Seated:** PCTFE Seat provides a bubble tight seal and is replaceable
- **Construction:** Body and Bonnet ASTM A351 J92600 Stainless steel
- **Sizes:** ½" - 4" (15mm - 100mm)
- **Ends:** RF Flange, Butt weld, Socket weld, Threaded (FNPT)
- **Service:** Liquefied and vaporized atmospheric gases, LNG
- **100% Factory Tested**
- **Clean for use in oxygen** per CGA G-4.1
- **Temperature Rating:** -320°F - 150°F (-196°C +65°C)
- **Pressure Rating:** (Cold, Non-shock)  
Class 150 valve - 275 psig (19 barg)  
Class 300 valve - 720 psig (50 barg)

½" - 4" Class 150  
PED Approved  
½" - 4" Class 300  
PED Approved

Our investment cast stainless steel is specified by leading industrial gas companies for storage tank and yard operations. Special order bonnet extensions are available for cold box applications. Valves for hydrogen use can be supplied

### Ordering Information

#### Stainless Body • RF Flange Ends

150# Part Number	300# Part Number	Valve Size		Ends	150# Weight		300# Weight		Estimated Cv (Kv)
		Inches	DN		Lbs.	Kg.	Lbs.	Kg.	
GS-00210W-8F	GS-00210W-8F3	1"	25	Flange	15	6.80	20	9.07	11.50 (9.94)
GS-00210W-16F	GS-00210W-16F3	2"	50		35	15.88	40	18.14	40.00 (34.60)
GS-00210W-24F	GS-00210W-24F3	3"	80		65	29.48	70	31.75	60.00 (51.90)
GS-00210W-32F	GS-00210W-32F3	4"	100		95	43.09	100	45.35	175 (151.37)

150# ANSI Class (275 psig (19 barg) Cold Working Pressure)

300# ANSI Class (720 psig (50 barg) Cold Working Pressure)

#### Stainless Body • Butt Weld, Socket Weld, Threaded Ends

300# Part Number	Valve Size		Ends	Weight		Estimated Cv (Kv)				
	Inches	DN		Lbs.	Kg					
GS-00210W-4S3	½"	15	Socket Weld	15	6.80	3.90 (3.37)				
GS-00210W-4T3			Threaded							
GS-00210W-6S3	¾"	20	Socket Weld			25	11.34	7.10 (6.14)		
GS-00210W-6T3			Threaded							
GS-00210W-8S3	1"	25	Socket Weld					35	15.88	11.50 (9.94)
GS-00210W-8T3			Threaded							
GS-00210W-12S3	1½"	40	Socket Weld	55	24.95					29.00 (25.08)
GS-00210W-16W3A	2"	50	Butt Weld SCH10							
GS-00210W-16W3J			Butt Weld SCH40			60.00 (51.90)				
GS-00210W-24W3A	3"	80	Butt Weld SCH10							
GS-00210W-24W3J			Butt Weld SCH40							
GS-00210W-32W3A	4"	100	Butt Weld SCH10				80	36.29	175.00 (151.37)	
GS-00210W-32W3J			Butt Weld SCH40							
LOX00210W-24W3A**	3"	80	Butt Weld SCH10	55	24.95				60.00 (51.90)	
LOX00210W-32W3A**	4"	100	Butt Weld SCH10			80				36.29

\* Second number indicates part number for 300# valve.

\*\* LOX valves specifically for Liquid Oxygen Service, for more information on LOX valves see page 62

150# ANSI Class (275 psig (19 barg) Cold Working Pressure)

300# ANSI Class (720 psig (50 barg) Cold Working Pressure)

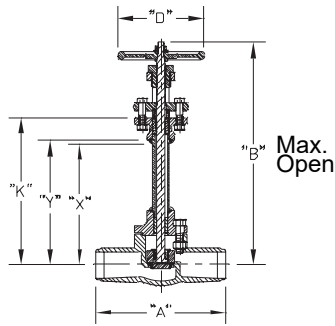


210 Series



# Stainless Steel Globe Valve for Cryogenic Service

## 210 Series

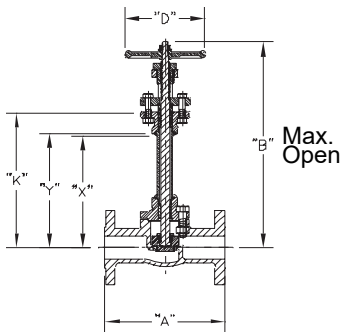


### Butt Weld Ends

Size		"A"		"B"		"D"		"K"		"X"		"Y"	
Inches	DN	Inches	mm	Inches	mm	Inches	mm	Inches	mm	Inches	mm	Inches	mm
2"	50	10½"	267	22¼"	565	7"	178	15"	381	12¾"	324	13⅛"	332
3"	80	12"	305	30½"	768	10"	254	21½"	546	19⅛"	484	19⅝"	492
4"	100	13½"	343	36¾"	933	12"	305	24¼"	616	21⅛"	551	22"	559

Δ For SCH. 40 A=12½"  
 Θ For SCH. 40 A=14"

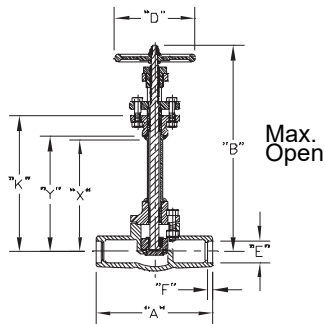
- \* Unless otherwise specified, SCH 10 weld ends are supplied
- Special B,K,X & Y dimensions available.



### Raised Face Flange Ends\*

Size		"A" 150#		"A" 300#		"B"		"D"		"K"		"X"		"Y"	
Inches	DN	Inches	mm	Inches	mm	Inches	mm	Inches	mm	Inches	mm	Inches	mm	Inches	mm
1"	25	6½"	165	8"	203	18⅞"	460	5"	127	12¾"	324	11⅛"	484	11⅝"	289
2"	50	8"	203	10½"	267	22¼"	565	7"	178	15"	381	12¾"	324	13⅛"	332
3"	80	9½"	241	12½"	317	30½"	775	10"	254	21½"	546	19⅛"	484	19⅝"	492
4"	100	11½"	292	14"	356	36¾"	933	12"	305	24¼"	616	21⅛"	551	22"	559

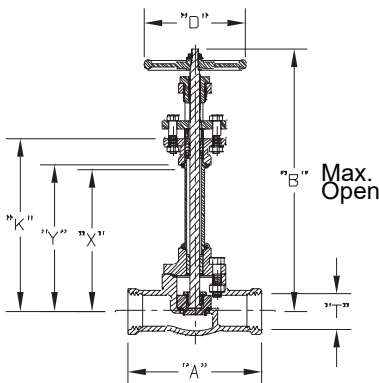
- Special B,K,X & Y dimensions available.



### Socket Weld Ends

Size		"A"		"B"		"D"		"E"		"F"		"K"		"X"		"Y"	
Inches	DN	Inches	mm	Inches	mm	Inches	mm	Inches	mm	Inches	mm	Inches	mm	Inches	mm	Inches	mm
½"	15							.855	22	⅝"	9						
¾"	20	5"	127	18⅞"	460	5"	127	1.06	27	½"	13	12¾"	324	11⅛"	281	11⅝"	289
1"	25							1.33	34								
1½"	40	10¼"	260	22¼"	565	7"	178	1.91	48			15"	381	12¾"	324	13⅛"	332

- Special B,K,X & Y dimensions available.



### Threaded Ends

Size		"T" - NPT		"A"		"B"		"D"		"K"		"X"		"Y"	
Inches	DN	Inches	mm	Inches	mm	Inches	mm	Inches	mm	Inches	mm	Inches	mm	Inches	mm
½"	15	½"-14	13-356	5"	127	18⅞"	460	5"	127	12¾"	324	11⅛"	281	11⅝"	289
¾"	20	¾"-14	19-356												
1"	25	1"-11½"	25-292	5¾"	146										

- Special B,K,X & Y dimensions available.