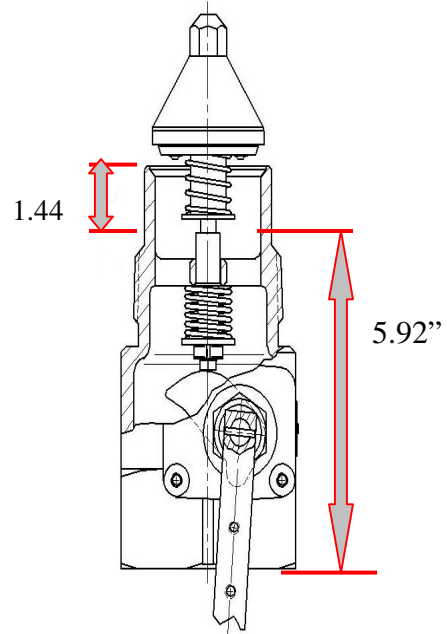
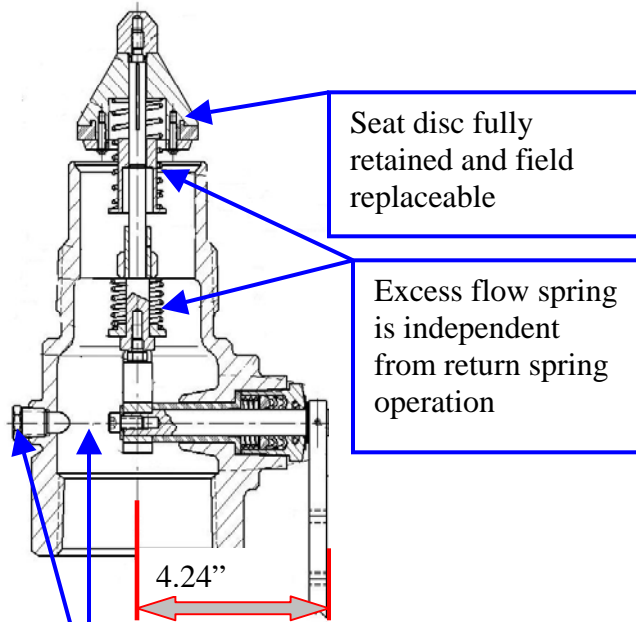


PU 180



Cam attached with Allen head fastener which is accessed from the 1/4" pipe plug on side of the body

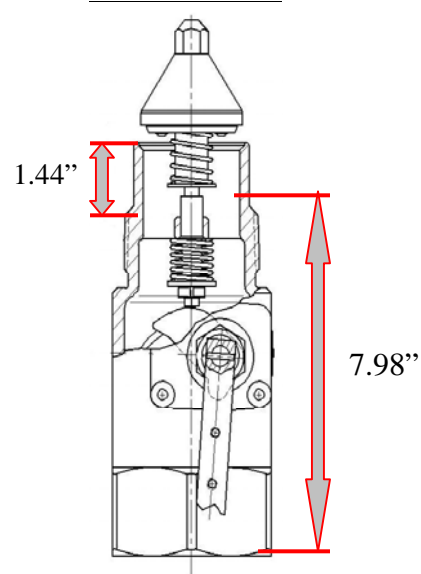
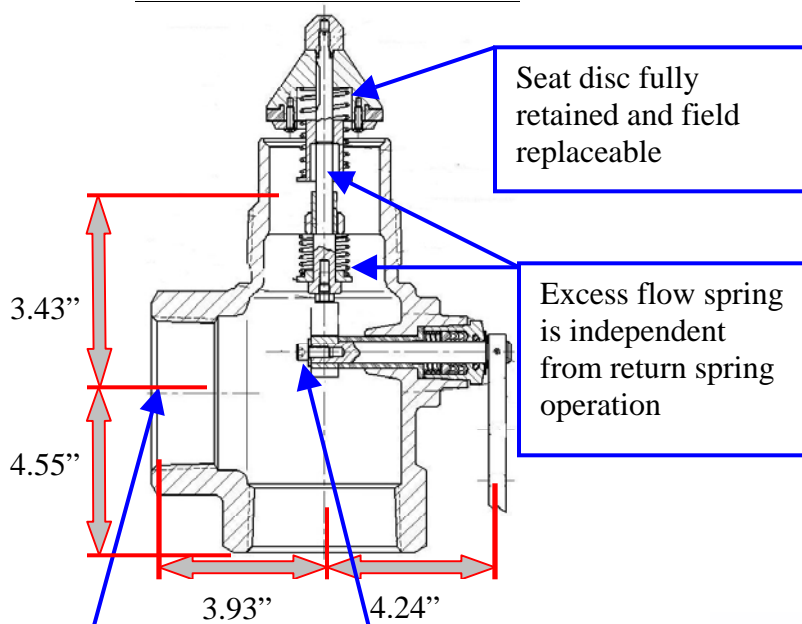
Materials

Body.....	Ductile Iron
Operating Lever	Cadmium Plated Steel
Stem	Stainless Steel
Springs	Stainless Steel
Seat Disc	Resilient Synthetic Rubber
Shaft Bearing	Nylon

Ordering Information

Part Number	Inlet Connection M-NPT	Outlet Connection F-NPT	Closing Flow Half Coupling (GPM)		Closing Flow Full Coupling (GPM)		LP-Gas Vapor Capacity (SCFH/Propane)		Accessories	
			LP-Gas	NH3	LP-Gas	NH3	25 PSIG Inlet	100 PSIG Inlet	Pneumatic Actuator	Thermal Latch
A3213R150	3"	3"	150	135	125	113	-----	-----	A3213PA	A3213TL
A3213R200	3"	3"	200	180	160	144	44,100	75,100		
A3213R300	3"	3"	300	270	250	225	57,900	90,500		
A3213R400	3"	3"	400	360	325	293	71,400	121,300		

PU 180



Cam attached with Allen head fastener that is accessed from the 3" F-NPT outlet connection on the side of the body

Materials

- Body..... Ductile Iron
- Operating Lever Cadmium Plated Steel
- Stem Stainless Steel
- Springs Stainless Steel
- Seat Disc Resilient Synthetic Rubber
- Shaft Bearing Nylon

Ordering Information

Part Number	Inlet Connection M-NPT	Outlet Connections F-NPT	Closing Flow Half Coupling (GPM)		Closing Flow Full Coupling (GPM)		LP-Gas Vapor Capacity (SCFH/Propane)		Accessories	
			LP-Gas	NH3	LP-Gas	NH3	25 PSIG Inlet	100 PSIG Inlet	Pneumatic Actuator	Thermal Latch
A3213RT150	3"	3"	150	135	125	113	-----	-----	A3213PA	A3213TL
A3213RT200	3"	3"	200	180	160	144	44,100	75,100		
A3213RT300	3"	3"	300	270	250	225	57,900	90,500		
A3213RT400	3"	3"	400	360	325	293	71,400	121,300		