

PU 183

New From RegO Products!
Hose End Valve Adapter 7576

Application

No gas flow is allowed when this adapter is not connected to the 1 3/4" ACME connection on a filler valve. It also acts as a back check for filler valves that won't seal off.

Features

- Designed to be installed on the outlet connection of LP- Gas hose end valve; no flow is allowed until the 7576 adapter female connection is engaged on the male ACME threads on the filler valve.
- Incorporates a back check that will stop flow out of a filler valve that fails to close, when the 7576 adapter remains connected to the filler valve.
- Bleeder valve is designed to vent gas between the hose end valve connection and the 7576 hose end adapter.
- Long grip ACME swivel for ease in connecting and disconnection from a filler valve connection.

Materials

Body.....Brass
Inlet Connection.....Brass
Outlet Connection.....Brass
ACME SwivelAluminum
Spring.....Stainless Steel
Seat Disc.....Synthetic Rubber
O-Rings.....Synthetic Rubber



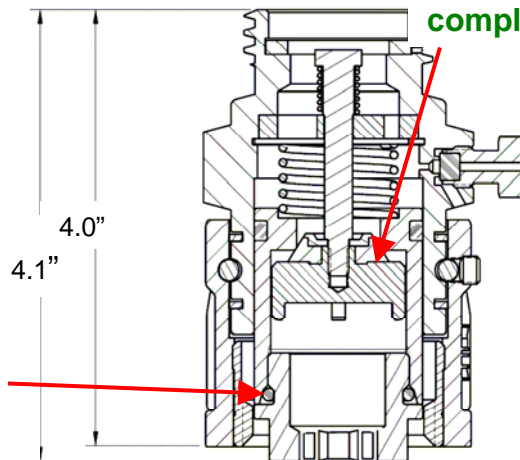
Large Heavy Duty Swivel



Incorporates a back-check feature if filler valve fails to close off completely

7576

No flow allowed until connected to the filler valve



Ordering Information

Part Number	Vent Valve	Filler Connection	Hose End Valve Connection	Propane Liquid Capacity @ 80 PSID
7576	Yes	1-3/4" F.ACME	1-3/4" M.ACME	57 GPM