



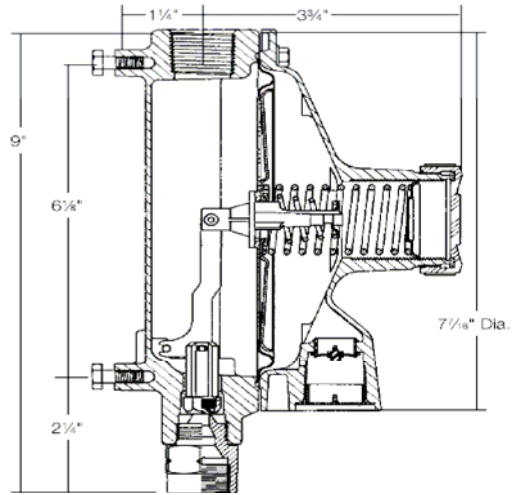
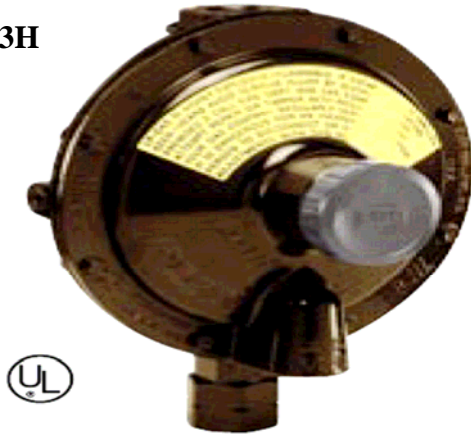
ECI Engineered Controls
International, Inc.

100 RegO Drive PO Box 247 Elon, NC 27244 USA Phone (336) 449-7707 Fax (336) 449-6594 www.regoproducts.com

Product Up-Date 187

LV5503H Series Special Purpose LP-Gas Second Stage Regulators

LV5503H Series



Application:

Designed to reduce first stage pressure 5-10 PSIG down to a pressure higher than 1 inches water column, the actual pressure setting is specified in the table below. These regulators are designed for installations where the appliances require pressures greater than 11 inches W.C.

Materials	
Body.....	Die Cast Aluminum
Bonnet.....	Die Cast Aluminum
Nozzle Orifice.....	Brass
Spring.....	Steel
Valve Seat Disc.....	Resilient Rubber
Diaphragm.....	Integrated Fabric and Synthetic Rubber

Ordering Information

Part Number	Inlet Connection	Outlet Connection	Orifice Size	Factory Delivery Pressure @ 10 PSIG Inlet	Adj. Range Inches W.C.	Bonnet Vent Position	Vapor Capacity BTU/HR* Propane	
LV5504H414	3/4" F-NPT	3/4" F-NPT	1/4"	14" W.C.	7-16	Inlet	1,600,000	
LV5503H614				14" W.C.	7-16	Inlet		
LV5503H620				20" W.C.	11-28	Inlet		
LV5503H620V				20" W.C.	11-28	Outlet		
LV5503H640				40" W.C.	28-84	Inlet		
LV5503H640V				40" W.C.	28-84	Outlet		
LV5504H814		1"-F-NPT	9/32"		14" W.C.	7-16	Inlet	2,300,000
LV5503H820					20" W.C.	11-28	Inlet	
LV5503H840					40" W.C.	28-84	Inlet	
					40" W.C.	28-84	Inlet	

Max flow based on 10PSIG inlet 20% drop in delivery pressure (5/1/08)