

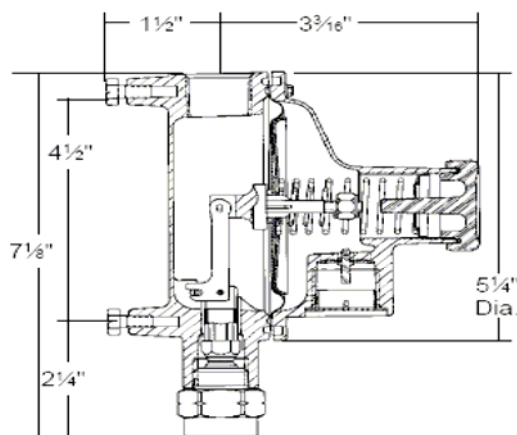


ECI Engineered Controls
International, Inc.

100 RegO Drive PO Box 247 Elon, NC 27244 USA Phone (336) 449-7707 Fax (336) 449-6594 www.regoproducts.com

Product Up-Date 187

LV4403H Series Special Purpose LP-Gas Second Stage Regulators



LV4403H Series

Application:

Designed to reduce first stage pressure 5-10 PSIG, down to a pressure higher than 11 inches water column, the actual pressure setting is specified in the table below. These regulators are designed for installations where the appliances require pressures greater than 11 inches W.C.

Materials

Body.....Die Cast Zinc
Bonnet.....Die Cast Zinc
Nozzle Orifice.....Brass
Spring.....Steel
Valve Seat Disc.....Resilient Rubber
Diaphragm.....Integrated Fabric and Synthetic Rubber

Ordering Information

Part Number	Inlet Connection	Outlet Connection	Orifice Size	Delivery Pressure @ 10 PSIG Inlet	Adj. Range Inches W.C.	Bonnet Vent Position	Vapor Capacity BTU/HR* Propane
LV4403H222	1/4" F-NPT	1/2" F-NPT	#28	22" W.C.	15-35	Inlet	700,000
LV4403H414	1/2" F-NPT			14" W.C.	12.5-19	Inlet	
LV4403H420				20" W.C.	15-35	Inlet	
LV4403H4614		14" W.C.		12.5-19	Inlet		
LV4403H4620		20" W.C.		15-35	Inlet		
LV4403H6614	3/4" F-NPT	3/4" F-NPT		14" W.C.	12.5-19	Inlet	

*Max flow based on 10 PSIG inlet 20% drop in delivery pressure (5/1/08)