

# Extended Stem Cryogenic Valves

## ES8450 Series Extended Stem Valves BK9450 & BK9470 Series Extended Bonnet Valves

### Application

These valves are designed for use as a trycock valve or hose drain valve on cryogenic tanks. Another application is as a use, liquid fill, or vent valve on mini-bulk cryogenic tanks. These valves can be used likewise for other cold gas applications requiring extended stem valves.

### Features

- Union bonnet.
- One piece stainless steel stem
- Conical seat design.
- Maximum working pressure is 600 psig.
- Working temperature is -320F to +165F.
- Cleaned for oxygen service per CGA G-4.1.

### ES8450 Series specific feature:

- Manual torque compression packing.

### BK9450 and BK9470 Series specific feature:

- Extended bonnet and spring loaded packing.

### BK9470 Series specific feature:

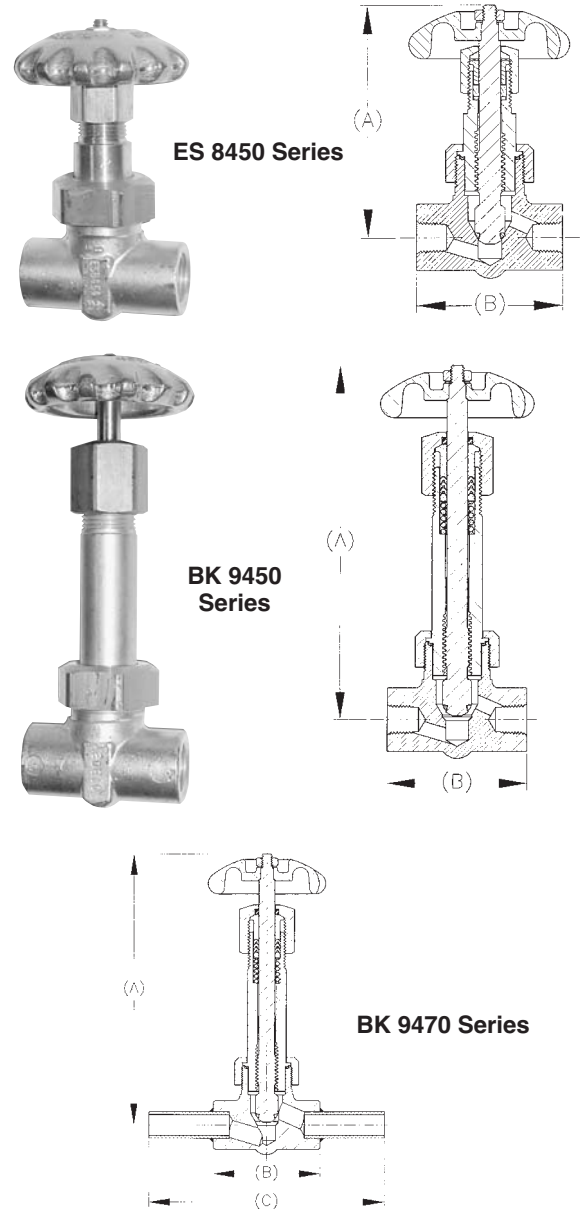
- 304 St. Stl Tube brazed into one or both ends.

### Materials

Body and Bonnet .....Brass  
Stem .....Stainless Steel  
Seat disc .....CTFE  
Handwheel .....Aluminum  
Packing and Bonnet Gasket .....PTFE

### Conversion Kit

BK 9450-KIT is a bonnet and stem assembly kit to convert ES 8450 Series and previous ES 9450 Series to the BK 9450 style.



### Ordering Information

Part Number	Inlet/Outlet Connections	Height "A"	Body Width "B"	Width with Tube "C"	C <sub>v</sub>	
ES 8452	1/4" FNPT	4"	2.5"		0.70	
ES 8453	3/8" FNPT	4"			1.10	
ES 8454	1/2" FNPT	4"			1.10	
BK 9452	1/4" FNPT	6.5"			0.70	
BK 9453	3/8" FNPT	6.5"			1.10	
BK 9454	1/2" FNPT	6.5"			1.10	
BK 9453FA	5/8" OD tubing x 3/8" FNPT	6.5"			4.0"	1.10
BK 9475A	5/8" OD tubing both ends	6.5"			5.5"	1.10