

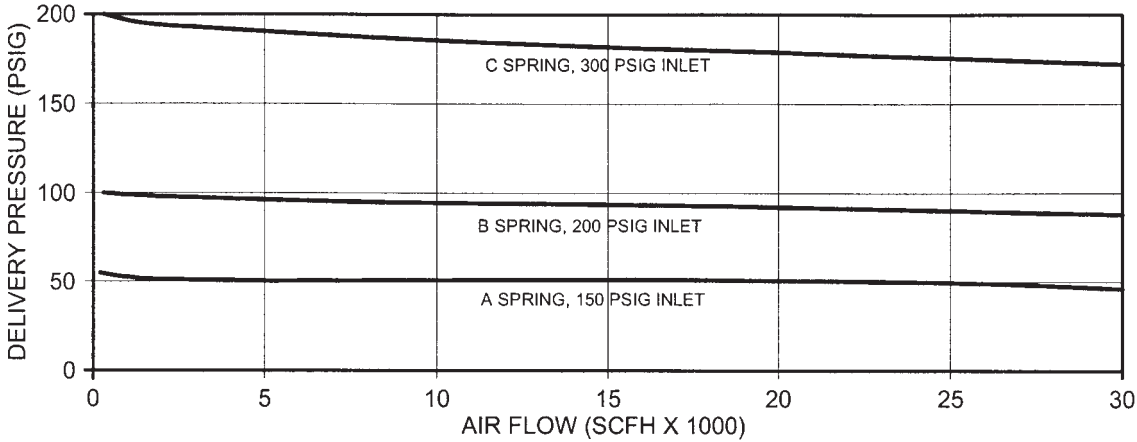
Heavy Duty Brass Final Line Pressure Regulator

BR-1780 Series

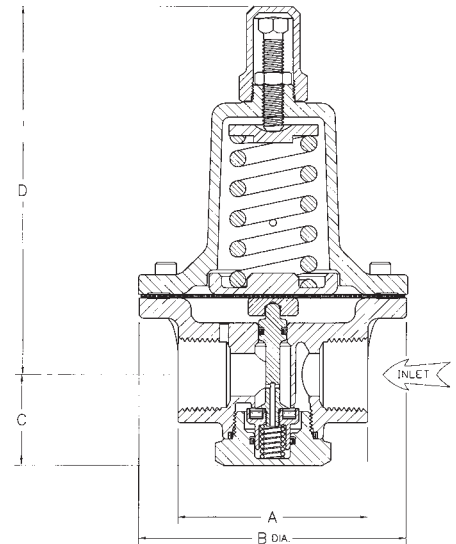
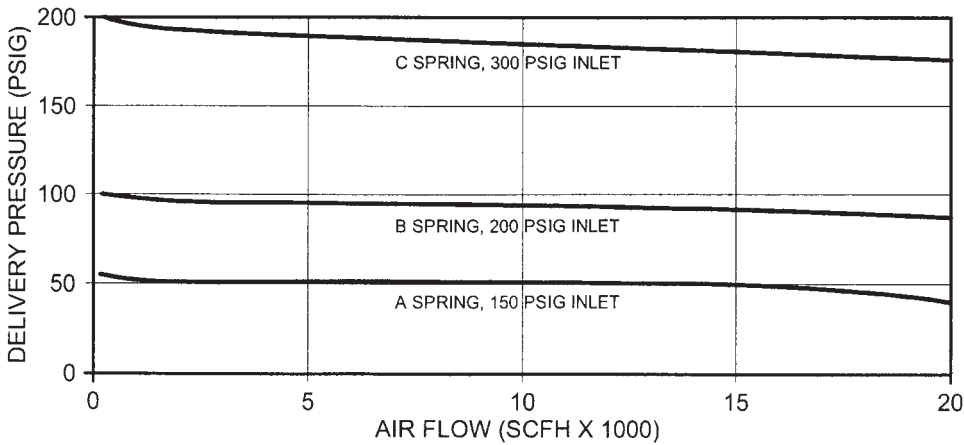
Flow Performance

See the Rego Flow Performance Curves section of the catalog for more detailed flow curves.

BR-1786 & BR-1788



BR-1784



Dimensions

The BR-1780 Series Regulators have inlet and outlet connection dimensions similar to the popular 1680 Series aluminum regulators. This means that you can replace the respective size 1680 Series regulator with the new BR-1780 Series regulator and have the improved performance and premium features available on the BR-1780 Series

For Carbon Dioxide or Nitrous Oxide Service, add "E" to end of part number.

Part Number	Delivery Pressure Range	Pressure Gauge*		Inlet & Outlet (F.N.P.T.)	Dimensions				C _v
		Range (PSI)	P/N		"A"	"B"	"C"	"D"	
BR-1784A	5-55 psig	1-100	1286	1/2"	2.82"	3.62"	1.38"	5.21"	3.1
BR-1784B	40-110 psig	1-200	S1679	1/2"	2.82"	3.62"	1.38"	5.21"	3.1
BR-1784C	100-200 psig	1-400	15578	1/2"	2.82"	3.62"	1.38"	5.21"	3.1
BR-1786A	5-55 psig	1-100	1286	3/4"	3.31"	4.69"	1.60"	6.46"	4.8
BR-1786B	40-110 psig	1-200	S1679	3/4"	3.31"	4.69"	1.60"	6.46"	4.8
BR-1786C	100-200 psig	1-400	15578	3/4"	3.31"	4.69"	1.60"	6.46"	4.8
BR-1788A	5-55 psig	1-100	1286	1"	3.31"	4.69"	1.60"	6.46"	5.5
BR-1788B	40-110 psig	1-200	S1679	1"	3.31"	4.69"	1.60"	6.46"	5.5
BR-1788C	100-200 psig	1-400	15578	1"	3.31"	4.69"	1.60"	6.46"	5.5

*Regulator sold without gauge. Order gauge separately.