

RegO "NR" Series Noise Reduction Relief Valve

Application

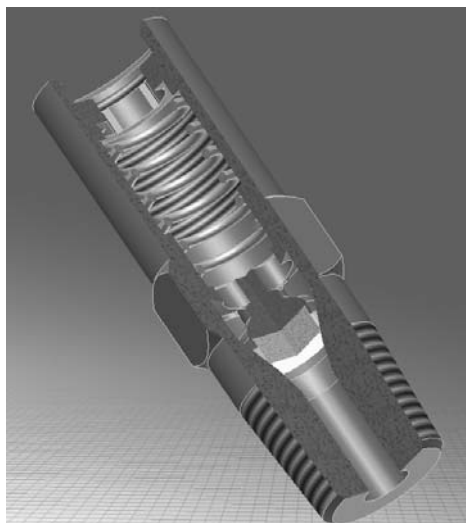
Designed especially for indoor applications such as laboratories where relief valve discharge noise is an issue. RegO's NR series PRV provides excellent flow characteristics with a 50% reduction in outlet noise related to valve relief.

Features

- Packaged and cleaned for oxygen service per CGA G-4.1
- Bubble tight at 95% of set pressure
- 100% factory tested
- Repeatable performance
- Temperature range -320° to +165° F

Materials

SpringSteel
 Gasket.....PTFE
 BodyBrass



Part Number	Seat Material	Inlet/Outlet Connections (F.NPT)	"B"	"C"	Orifice Size In*	Factory Pressure Setting (PSIG)
NR009432F022	Fluorosilicone	¼"	2.60"	7/8"	.062	22
NR009432F050	Fluorosilicone	¼"	2.60"	7/8"	.062	50
NR009432F100	Fluorosilicone	¼"	2.60"	7/8"	.062	100
NR009432T230	PTFE	¼"	2.60"	7/8"	.062	230
NR009432T250	PTFE	¼"	2.60"	7/8"	.062	250
NR009432T300	PTFE	¼"	2.60"	7/8"	.062	300
NR009432T350	PTFE	¼"	2.60"	7/8"	.062	350
NR009432T360	PTFE	¼"	2.60"	7/8"	.062	360

