

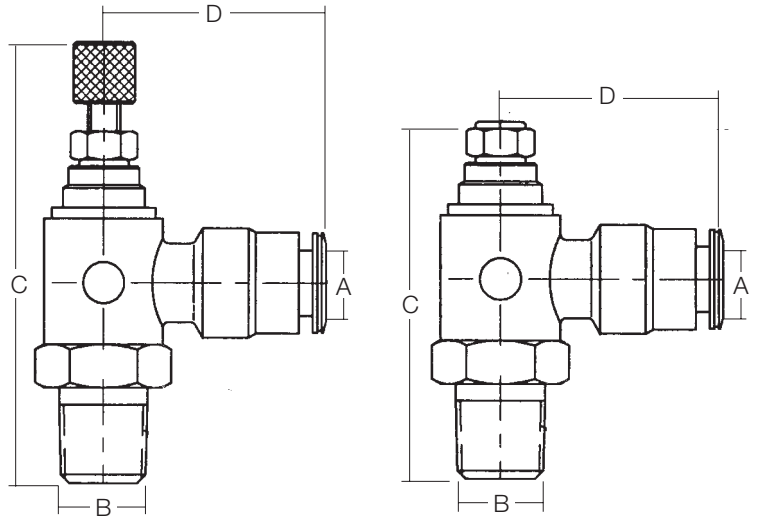
Compact Pneumatic Flow Controls With Push-In-Tube Connection

Features:

- Compact design permits mounting directly on pneumatic cylinder.
- Push-In-Tube connections allow convenient tube assembly without the need for tools or other components.
- Tubing easily installed by pushing into outlet and released by pressing collet and pulling.
- Available with convenient knurled knob or tamper resistant recessed screwdriver slot.
- Valves are nickel plated for corrosion protection.
- Unique cup seal provides positive seal during metered flow.
- Precision long-tapered stem provides accurate control.
- Tube Port rotates fully after mounting.

Specifications:

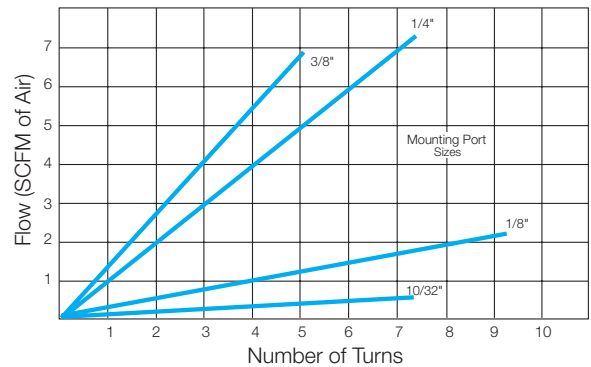
Operating Pressure 15 to 150 PSIG
 Temperature Range +32° F to +176° F
 Body Material OT58 Brass Body with Nickel Plating
 Seal Material Buna-N



Ordering Information:

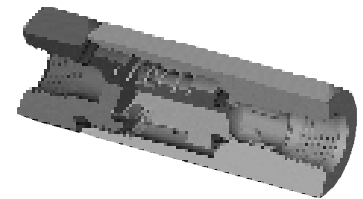
Part Number	Actuation	A Tube Port O.D.	B Mounting Port	C Height (Valve Open)	D
RAM 53-02	Knurled Knob	5/32"	1/8" NPT	1 1/8"	7/8"
RAM 4-02		1/4"			1 1/16"
RAM 4-04		3/8"	1/4" NPT	2 1/4"	1 1/8"
RAM 6-04			3/8" NPT	2 5/8"	1 3/16"
RAM 6-06					
RAS 53-02	Recessed Screwdriver Slot	5/32"	1/8" NPT	1 1/2"	7/8"
RAS 4-02		1/4"			1 3/16"
RAS 4-04		3/8"	1/4" NPT	1 5/8"	1 1/8"
RAS 6-04			3/8" NPT	1 13/16"	1 3/16"
RAS 6-06					

Performance



CW-series check valves

- A check valve specifically designed and manufactured for the car wash/pressure washing industry.
- Unique two piece construction allows the user to dis-assemble the valve, clean and replace seals as necessary.
- Both valves which are available in 1/4" and 3/8" NPTF contain O-rings of Viton7 and Buna-N for long-lasting durability.
- Maximum operating pressure on each valve is 200 psi.
- Cracking pressure is 5 psig.



Valve Number	Material	Thread (Both Ends)	A - Length (in)	B - Width (in)
CW250BL	ASTM B 16 Brass	1/4 NPTF	3.03	1.00
CW375BL	ASTM B 16 Brass	3/8 NPTF	3.03	1.00
CW250SSL	303 Stainless Steel	1/4 NPTF	3.03	1.00
CW375SSL	303 Stainless Steel	3/8 NPTF	3.03	1.00

REGO CRYO-FLOW PRODUCTS

Phone: (336) 226-3244
 Fax: (336) 227-6294
 E-mail: cfo@regoproducts.com

Division of Engineered Controls International, Inc.