

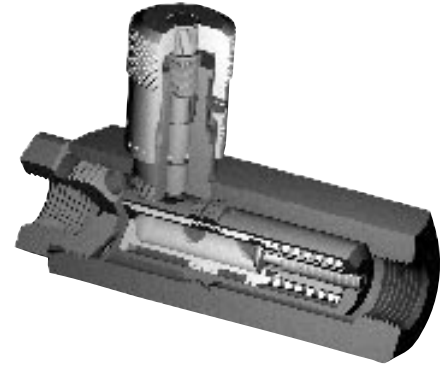
Pressure Compensated Valves

AFR Series

Provides accurate control of hydraulic actuator speeds and automatically compensates for changes in system pressure.

Features:

- Adjustable flow range.
- Easy-to-read micrometer knob for exact flow setting.
- All valves supplied with VITON seals.
- Free reverse-flow with low pressure drop.
- All valves are zinc-plated and sealed with black chromate for double corrosion protection.
- Set screw provided to secure valve setting.



Ordering Information:

Part Number	P (NPT) Female	Flow Range GPM	D (In.) Square	L (In.)	E (In.) Max	Operating Pressure Range
AFR250	1/4"	0-4	1.25	3.70	1.35	500-3000
AFR375	3/8"	0-8	1.50	4.65	1.75	
AFR500	1/2"	2-18		5.00	2.00	200-3000

Specifications:

Operating Pressure Range	See Ordering Information
Temperature Range	-20°F to +350°F
Accuracy	± 10%
Stem Pitch	40 Threads/Inch

Materials:

Body	12L14 Leaded Steel
Piston	11L17 Leaded Steel
Stem	Stainless Steel — 1/4" & 3/8" Sizes 12L14 Leaded Steel — 1/2" Size
Spring	Steel
Knob	Aluminum
Set Screw	Steel
Seals	Nylon & Viton

