

# ASME Relief Valves for Gases & Cryogenic Systems B-19434B Series & C-19434B Series

## Application

The B-19434B Series relief valves are suitable for use with oxygen and non corrosive industrial gases.

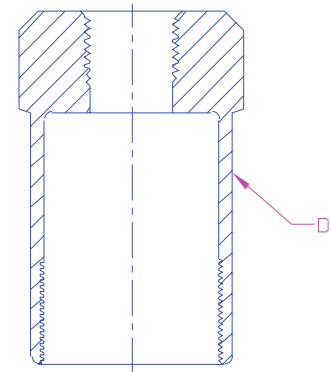
The C-19434B series relief valves are designed for use in carbon dioxide service.

## Features

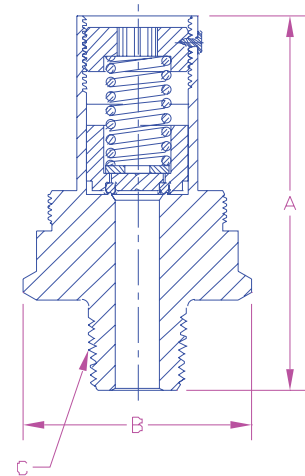
- Both designs permit the valve to open slightly to relieve moderately excessive pressure.
- When the pressure increases beyond a predetermined point, the valve opens to its full discharge capacity in order to quickly reduce excess pressure.
- Pipe-away adapter for venting gas to the outdoors is available.
- A.S.M.E. rated. NB Certified.
- B-19434-B Series are cleaned for use in oxygen per CGA G-4.1.

## Materials

Body .....	Brass
Spring .....	Stainless Steel
Seat Retainer.....	Brass
Seat Disc (B-19434B Series).....	Fluorosilicone
Seat Disc (C-19434B Series) .....	EPDM Synthetic Rubber
Pipe-Away Adapter .....	Brass



**B-19434B Series**



## Ordering Information

Part Number	Pressure Setting (PSIG)	ASME Relief Capacity (CFM/Air)	Height A	Width B	Inlet Connection (M.NPT) C	Pipe-Away Adapter Part Number D
<a href="#">B-19434B235</a>	235	476	2 <sup>15</sup> / <sub>16</sub> "	1 <sup>1</sup> / <sub>4</sub> "	1/2"	*B-19434-5 1/2" F.NPT Outlet
<a href="#">B-19434B250</a>	250	505				
<a href="#">B-19434B300</a>	300	601				
<a href="#">B-19434B350</a>	350	691				
<a href="#">B-19434B375</a>	375	736				
<a href="#">C-19434B235</a>	235	476				
<a href="#">C-19434B250</a>	250	505				
<a href="#">C-19434B280</a>	280	555				
<a href="#">C-19434B300</a>	300	601				
<a href="#">C-19434B350</a>	350	691				
<a href="#">C-19434B375</a>	375	736				

\* Pipe Away Adapter is sold separately.

\*\* Contact factory for additional settings.