

# Low Pressure Regulators 4286-10 Series & 4289-10 Series

## Application

The 4286 and 4289 series inertrol third-stage low pressure regulators are designed especially for secondary regulation of gaseous nitrogen on electrical transformer systems.

These regulators are factory preset at 14" to 15" water column delivery pressure with an inlet pressure of 5 to 10 PSIG.

## Features

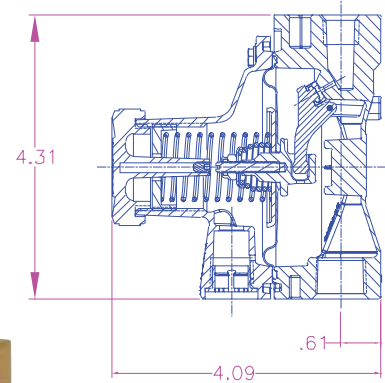
- Large diaphragm allows for highly sensitive and accurate low pressure control.
- Incorporates integral relief valves (except on 4289-10).
- Zinc body and bonnet resist corrosion and provide longer life.
- Adjusting screw is concealed by a cap to help prevent against tampering by unauthorized personnel.
- Operating temperature range is -40°F to +160°F.

## Materials

Body ..... Zinc  
 Bonnet ..... Zinc  
 Diaphragm ..... Buna N  
 Seat Disc ..... Buna N  
 Spring ..... Steel

## Ordering Information

| Part Number | Inlet (NPT) | Outlet (NPT) | Delivery Pressure Setting | Relief Valve Setting |
|-------------|-------------|--------------|---------------------------|----------------------|
| LV4286-10-5 | ¼"          | ½"           | 14"-15" w. c.             | 5 PSIG               |
| LV4286-10-8 |             |              |                           | 8 PSIG               |
| LV4289-10   |             |              |                           | None                 |



4286-10