

Horizontal Check Valves 8500 Series

Application

The 8500 series valves are designed for use as a check valve on large cryogenic bulk stations and cryogenic pipelines.

Features

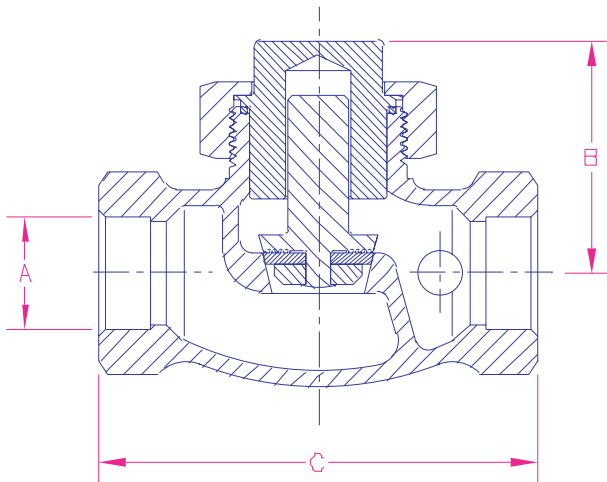
- Replaceable Kel-F seat discs.
- Self-centering cap holds plunger in position.
- Each valve is cleaned and packaged for liquid oxygen service per CGA G-4.1.
- 100% Factory Tested
- Working temperature range is -320°F to +165°F. (-196°C to +74°C)
- Maximum working pressure is 600 PSIG CWP. (41.3 Bar)
- 2 PSI opening pressure.



BK8508S

Materials

Body Bronze
 Cap Brass
 Plunger Brass
 Seat CTFE



BK8512S

Ordering Information

Part Number	Inlet / Outlet Connection A	B	Length C	C _v Factor
BK8508S	1.128"-1.130"	2¼"	4 ¹⁵ / ₁₆ "	10
BK8508T	1" F.NPT			
BK8512S	1.629"-1.631"	3¼"	5 ³ / ₁₆ "	27
BK8512T	1½" F.NPT			