

Stainless Steel Swing Check Valve for Cryogenic Service Goddard 886 Series

Features

- **Top Entry:** This bolted bonnet valve can be permanently installed in the line and services from the top
- **Construction:** Designed to prevent back flow in cryogenic systems. Higher fluid capacity (C_v) than poppet or lift check valves. 316L stainless steel investment cast body, cap and arm
- **Sizes:** 1/2" through 4" (15mm through 100mm)
- **Ends:** Socket weld and butt weld schedule 10 and 40
- **Temperature Rating:** -325°F to 150°F (-196°C to +66°C)
- **Pressure Rating:** (Cold, Non-shock)
400 PSIG (27 Bar) 1/2" - 2"
275 PSIG (19 Bar) 150# ANSI Class 3" and 4"
720 PSIG (50 Bar) 300# ANSI Class 3" and 4"
PED Approved, Approved for US and Canada
- **Note: Do not use for reciprocating gas service.**
- **Our investment cast stainless steel is specified by leading industrial gas companies for storage tank and yard operations.**
- **Ideal for liquid atmospheric gases and LNG storage and handling.**
- **High cycle life and superior sealing.**
- **Valves for hydrogen service can be supplied.**
(-425°F to +350°F)



Ordering Information

886

Stainless Steel Swing Check Valves
Soft Seat

GRAFOIL® Gasket - Hydrogen Service - Socket Weld

Part Number	Valve Size		End Connection	Seat	Pressure Rating	Estimated C_v	Weight Lbs.
	Inches	mm					
S-0886GF-4S	1/2"	15 mm	Socket Weld	Soft	400 (26 Bar)	4.50	3 Lbs.
S-0886GF-6S	3/4"	20 mm		Soft	400 (26 Bar)	12.00	6 Lbs.
S-0886GF-8S	1"	25 mm		Soft	400 (26 Bar)	61.00	11 Lbs.
S-0886GF-12S	1 1/2"	40 mm		Soft	400 (26 Bar)	99.00	17 Lbs.

PTFE Gasket - Socket Weld

Part Number	Valve Size		End Connection	Seat	Pressure Rating	Estimated C_v	Weight Lbs.
	Inches	mm					
S-000886-4S	1/2"	15 mm	Socket Weld	Soft	400 (26 Bar)	4.50	3 Lbs.
S-000886-6S	3/4"	20 mm		Soft	400 (26 Bar)	12.00	6 Lbs.
S-000886-8S	1"	25 mm		Soft	400 (26 Bar)	61.00	11 Lbs.
S-000886-12S	1 1/2"	40 mm		Soft	400 (26 Bar)	99.00	17 Lbs.

Stainless Steel Swing Check Valve for Cryogenic Service Goddard 886 Series

PTFE Gasket - Butt Weld

Part Number	Valve Size		End Connection	Seat	Butt Weld Schedule	Pressure Rating	Estimated Cv	Weight Lbs.
	Inches	mm						
S-000886-4WA	1/2"	15 mm	Butt Weld	Soft	10	400 (26 Bar)	4.50	3 Lbs.
S-000886-8WA	1"	25 mm			10	400 (26 Bar)	18.00	11 Lbs.
S-000886-12WA	1 1/2"	40 mm			10	400 (26 Bar)	61.00	17 Lbs.
S-000886-16W3A	2"	50 mm			10	720 (50 Bar)	99.00	17 Lbs.
S-000886-24WA	3"	80 mm			10	275 (19 Bar)	255.00	47 Lbs.
S-000886-24WJ	3"	80 mm			40	275 (19 Bar)	225.00	46 Lbs.
S-000886-32W3J	4"	100 mm			40	720 (50 Bar)	475.00	95 Lbs.
S-000886-32WA	4"	100 mm			10	275 (19 Bar)	475.00	95 Lbs.

886M

Stainless Steel Swing Check Valves - Metal Seat

PTFE Gasket - Socket Weld

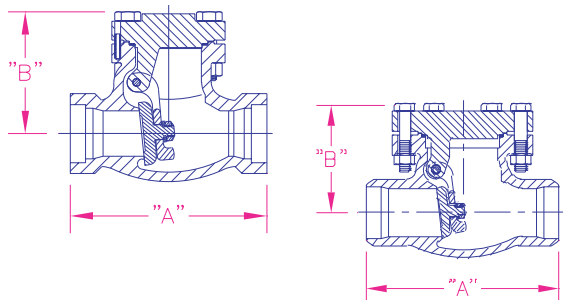
Part Number	Valve Size		End Connection	Seat	Pressure Rating	Estimated Cv	Weight Lbs.
	Inches	mm					
S-00886M-4S3	1/2"	15 mm	Socket Weld	Metal	720 (50 Bar)	4.50	3 Lbs.
S-00886M-8S3	1"	25 mm			720 (50 Bar)	18.00	11 Lbs.
S-00886M-12S3	1 1/2"	40 mm			720 (50 Bar)	61.00	17 Lbs.

Butt Weld Ends

Part Number	Valve Size		End Connection	Seat	Butt Weld Schedule	Pressure Rating	Estimated Cv	Weight Lbs.
	Inches	mm						
S-00886M-16W3A	2"	50 mm	Butt Weld	Metal	10	720 (50 Bar)	99.00	17 Lbs.
S-00886M-24W3J	3"	80 mm			40	720 (50 Bar)	225.00	46 Lbs.
S-00886M-24W3A	3"	80 mm			10	720 (50 Bar)	225.00	46 Lbs.
S-00886M-32WA	4"	100 mm			10	275 (19 Bar)	475.00	95 Lbs.
S-00886M-32W3J	4"	100 mm			40	720 (50 Bar)	475.00	95 Lbs.

Butt Weld Ends with GRAFOIL® Gasket for Hydrogen Service

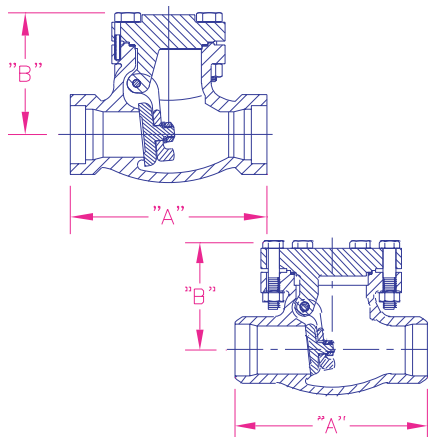
Part Number	Valve Size		End Connection	Seat	Butt Weld Schedule	Pressure Rating	Estimated Cv	Weight Lbs.
	Inches	mm						
S-886MGF-16W3A	2"	50 mm	Butt Weld	Metal	10	720 (50 Bar)	99.00	17 Lbs.
S-886MGF-24W3A	3"	80 mm	Butt Weld		10	720 (50 Bar)	225.00	46 Lbs.



886

Pressure Rating 300 PSIG Non-Shock Cold, Temperature Rating +150° F to - 325° F
All Dimensional Data are in inches.

Size	"A"	"B"
1/2"	4 1/4"	2 1/2"
3/4"	5"	3 1/4"
1"	5"	3 1/4"
1 1/2"	6 1/2"	4"
2"	8"	4 1/2"



886M

Service 300 Class 720 PSI Non-Shock Cold, Temperature Rating +150° F to - 325° F
All Dimensional Data are in inches.

Size	"A"	"B"	Butt Weld End Schedule
1 1/2"	6 1/2"	4"	10
2"	8"	4 1/2"	10
3"	9 1/2"	5 3/4"	10 & 40
4"	11 1/2"	8 3/8"	10
4"	14"	8 3/8"	40

Size	"A"	"B"	End	End Dimension
1/2"	2 7/16"	4 1/4"	Socket Weld	SCH 10
1/2"	2 7/16"	4 1/4"		1/2" Pipe Socket