

RegO® Goddard – Bronze Globe Valve for Cryogenic Service BB Series

Application

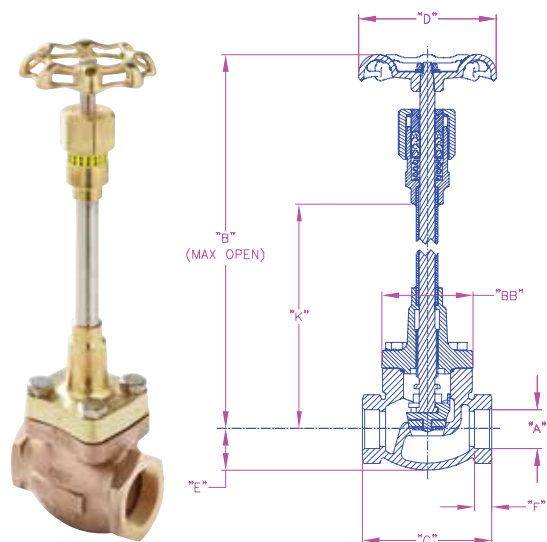
The BB Series globe valves are designed for handling of cryogenic liquids through bulk tanks, trucks, trailers, iso-containers and piping configurations. Our time tested spring loaded stem packing and superior seat design provide for long life and easy maintenance. Internal components are the same as the SK Series, the BB series & SK Series shares same repair kit.

Features

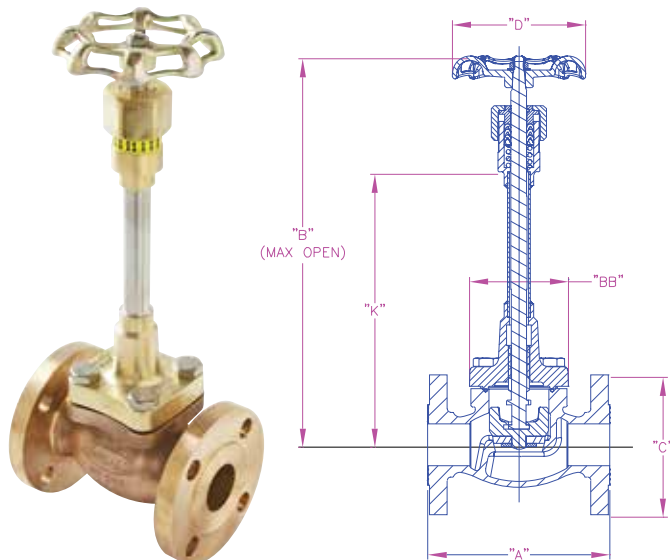
- Superior Flow: Provides high Cv for rapid and reliable loading and unloading.
- V-Ring spring loaded packing: provides extended service life without constant packing adjustment.
- Conical PCTFE Seat: provides exceptional flow; bubble tight seal; less chance of debris trapped in the seat and longer service life.
- Ideal for loading & unloading cryogenic bulk tanks and trucks. The 1½" & 2" valves are designed to be operator friendly, opening and closing completely with only four 360° turns.
- Connections: NPT, SBT & Flange.
- Sizes: ¼" to 2".
- Bonnet Type: Bolted.
- Pressure Rating: 720 PSI (50 Bar)
- Temperature Rating: -325°F (-198°C) to +150°F (+65°C).
- Service: Liquefied & Vaporized Atmospheric Gases and LNG for Trailers, Bulk Tanks, Iso-Containers and Piping Configurations.
- Cleaned for Liquid Oxygen Service per CGA G-4.1

Materials

Body Bronze ASTM B61 C92200
 Upper Bonnet Bronze ASTM B16 C36000
 Lower Bonnet Bronze ASTM B283 C37700
 Stem Stainless Steel ASTM A582 S30300
 Spring Stainless Steel ASTM A313 S30200
 Packing ASTM
 Gasket PTFE 25% Glass Fill
 Seat Disc PCTFE ASTM D1430
 Seat Retainer Brass ASTM B16
 Bonnet Screws ASTM B16 C36000
 Handwheel Chromated Coated Ductile Iron ASTM A395



BB9412S



BB9412F

Ordering Information

Part Number	Size Inches	Size mm	Connection	A	B	D	BB	C _v	Weight
BB9402S	¼"	8	Silver Brazed Tube	2.68	14.40	3.00	2.00	1.7	8.30
BB9404S	½"	15		2.88				5.0	
BB9406S	¾"	20		3.55		9.4			
BB9408S	1"	25		3.75	14	4.00	2.66	28.3	
BB9412S	1½"	40		4.78	14.60			4.75	
BB9416S	2"	50		5.88	16.21	5.25	4.06	21.60	
BB9402T	¼"	8	Threaded NPT	2.68	14.40	3.00	2.00	1.7	8.30
BB9404T	½"	15		2.88				5.0	
BB9406T	¾"	20		3.55		9.4			
BB9408T	1"	25		3.75	14	4.00	2.66	28.3	
BB9412T	1½"	40		4.78	14.60			4.75	
BB9416T	2"	50		5.88	16.21	5.25	4.06	21.60	
BB9412F	1½"	40	Flanged RF	6.50	14.60	4.75	3.44	28.3	18.56
BB9416F	2"	50		8.00	16.21	5.25	4.06	53	30.00