

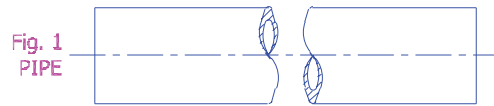
Brass Pipe & Pipe Nipples

Heavy-duty, yellow brass pipe and pipe nipples are designed with a high quality, seamless thick wall construction. They are suitable for use in most industrial piping applications.

ASTM B135 Alloy 330

1/2" I.D. pipe, O.D. is 0.840".

3/4" I.D. pipe, O.D. is 1.050".



Ordering Information

Part Number	Figure	Inside Diameter	Inlet / Outlet Connections (M.NPT)	Length	Maximum Operating Pressure (PSIG)*
TNE1050-14400	1	1/2"	Not Available	12 Feet	3600
TNE1075-14400		3/4"			
1050-15	2	1/2"	1/2"	1 1/2"	
1050-20				2"	
1050-40				4"	
1050-60				6"	
1050-80		8"			
1075-20		3/4"	3/4"	2"	
1075-30				3"	
1075-40				4"	
1075-50	5"				
1075-60	6"				

Brass Elbows

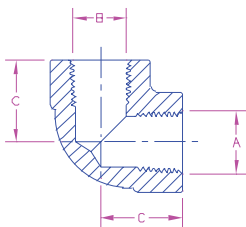


Fig. 1

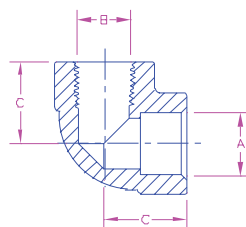


Fig. 2

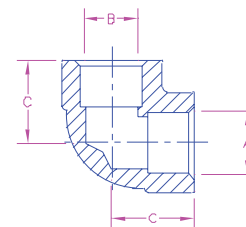


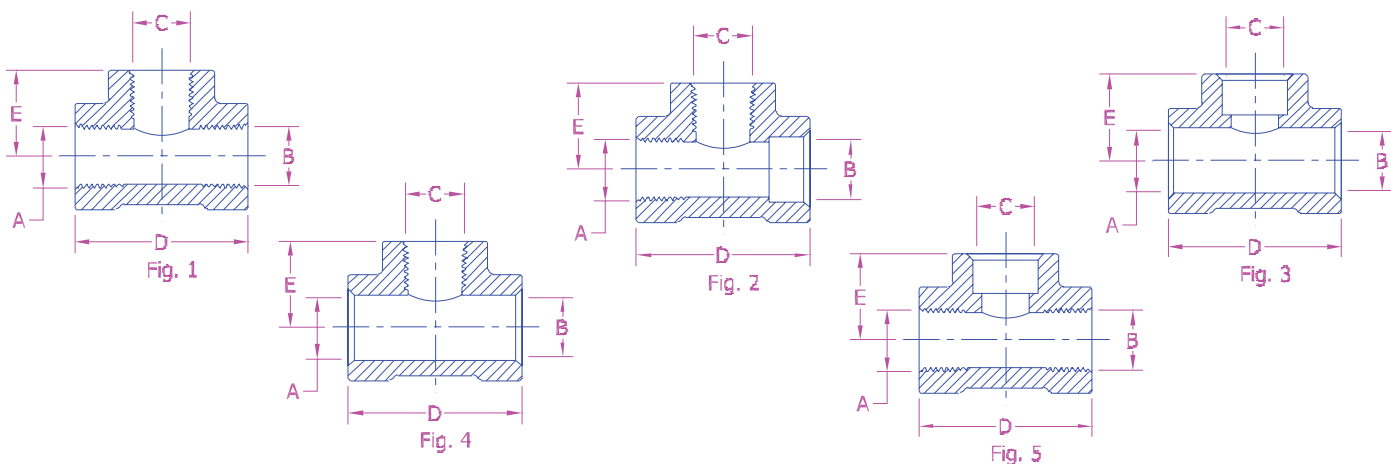
Fig. 3

Ordering Information

Part Number	Figure	A (Female)	B (Female)	C (Ref.)	Working Pressure PSIG*
1228-1	1	1/2" NPT	1/2" NPT	1 1/8"	3750
HP1228-1		1/2" NPT	1/2" NPT	1 1/2"	4500
1043		3/4" NPT	3/4" NPT	1 1/2"	4500
1228-2	2	1/2" NPT	.843-.847	1 1/8"	3750
HP1228-2		1/2" NPT	.843-.847	1 1/2"	4500
2223-2		3/4" NPT	1.053-1.057	1 1/2"	4500
1228-4	3	.843-.847	.843-.847	1 1/8"	3750
HP1228-4		.843-.847	.843-.847	1 1/2"	6000
2233-6		1.053-1.057	1.053-1.057	1 1/2"	4500

*Safety factor = 4:1

Brass Tees

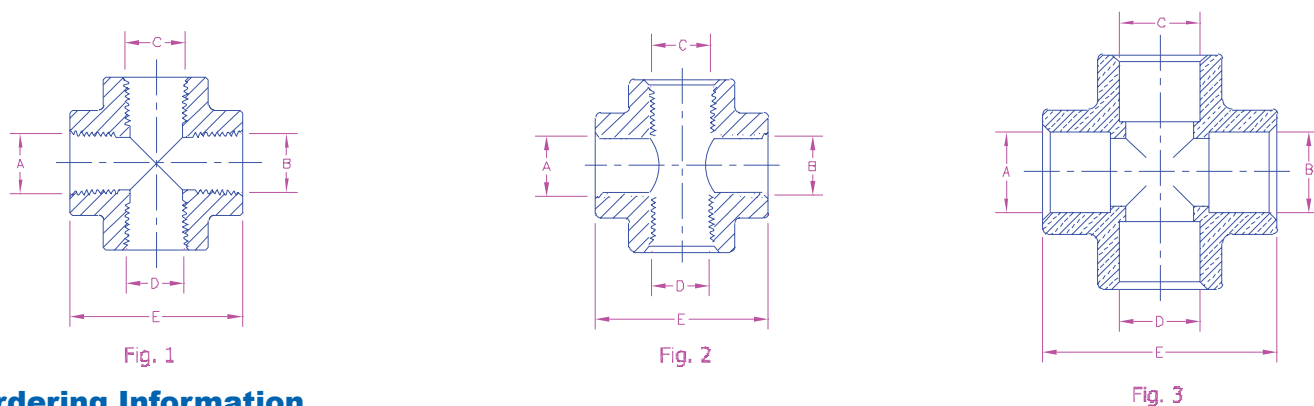


Ordering Information

Part Number	Figure	A (Female)	B (Female)	C (FEMALE)	D (Ref.)	e (Ref.)	Working Pressure PSIG*
1227-1	1	½" NPT	½" NPT	½" NPT	2¼"	1⅝"	3750
HP1227-1		¾" NPT	¾" NPT		¾" NPT	3"	1½"
1042-20				1042			
1227-3	2	½" NPT	.843-.847	½" NPT	2¼"	1⅝"	3750
HP1227-3		¾" NPT	1.053-1.057	¾" NPT	3"	1½"	4500
4608-5	3	.843-.847	.843-.847	.843-.847	2¼"	1⅝"	3750
HP1227-28		1.053-1.057	1.053-1.057	1.053-1.057	3"	1½"	6000
2118-2					4500		
1227-9	4	.843-.847	.843-.847	½" NPT	2¼"	1⅝"	3750
HP1227-9		1.053-1.057	1.053-1.057	¾" NPT	3"	1½"	4500
2223-3							
HP1227-5	5	½" NPT	½" NPT	.843-.847			

*Safety factor = 4:1

Brass Crosses

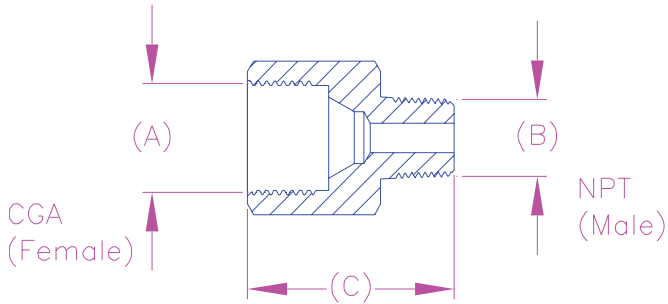


Ordering Information

Part Number	Figure	A (Female)	B (Female)	C (Female)	D (Female)	E (Ref.)	Working Pressure PSIG*
1225-1	1	½" NPT	½" NPT	½" NPT	½" NPT	2¼"	3750
HP1225-1		¾" NPT	¾" NPT	¾" NPT	¾" NPT	3"	4500
1045						4500	
1225-3	2	.843-.847	.843-.847	½" NPT	½" NPT	2¼"	3750
HP1225-3		1.053-1.057	1.053-1.057	¾" NPT	¾" NPT	3"	4500
2222-2	3	.843-.847	.843-.847	.843-.847	.843-.847	3"	6000
HP1225-4		1.053-1.057	1.053-1.057	1.053-1.057	1.053-1.057	3"	4500
2222-4							

*Safety factor = 4:1

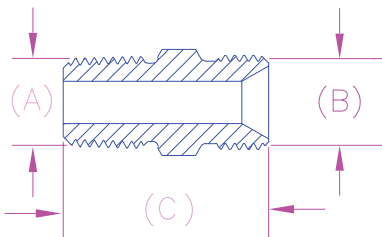
Brass Adapters CGA x Misc.



Ordering Information

Part Number	A	B	C (Ref.)
1877C	580	1/2"	1 3/4"
1877D		3/4"	

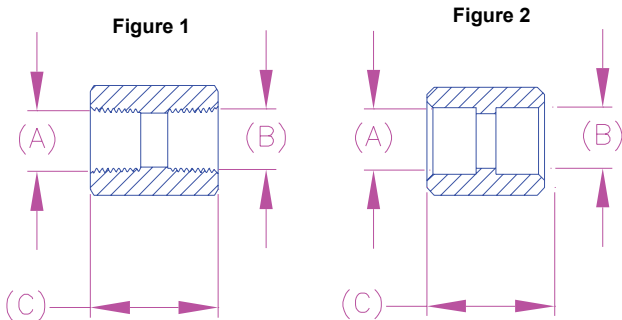
Brass Adapters Male x Male



Ordering Information

Part Number	A (Male)	B (Male)	C (Ref.)
1300	1/4 NPT	9/16" - 18NF-LH	1 1/4"
1200		9/16" - 18NF-RH	1 1/4"
2233-4HAL	1/2 NPT	1" - 11 1/2 NPS-LH	2 3/8"
2233-4HA		1" - 11 1/2 NPS-RH	2 3/8"
2233-4HL	3/4 NPT	1" - 11 1/2 NPS-LH	2 9/16"
2233-4H		1" - 11 1/2 NPS-RH	

Brass Adapters Female x Female

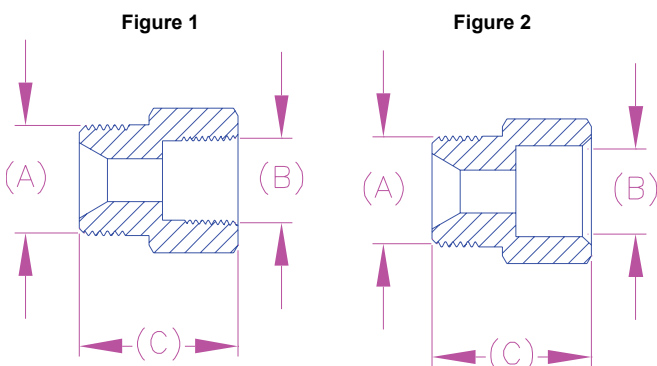


Ordering Information

Part Number	Figure	A (Female)	B (Female)	C (Ref.)
1125-15	1	1/2" NPT	1/2" NPT	1 5/8"
1044		3/4" NPT	3/4" NPT	2"

Part Number	Figure	A (Female)	B (Female)	C (Ref.)
1125-16	2	.843-.847	.843-.847	1 5/8"
1044-1		1.053-1.057	1.053-1.057	2"

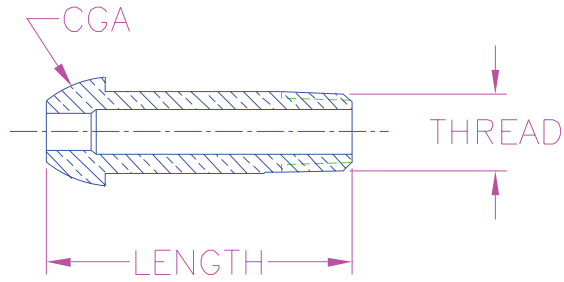
Brass Adapters Male x Female



Ordering Information

Part Number	Figure	A (Male)	B (Female)	C (Ref.)
489-10	1	1/2" NPT	1/4" NPT	1 1/4"
1252		3/4" NPT	1/4" NPT	1 19/64"
1252A			1/2" NPT	1 19/64"
2165-3	2	1"-11 1/2 NPS-RH	3/4" NPT	1 27/32"
2165-3B			.843-.847	1 13/16"
2165-3A			1.053-1.057	1 27/32"

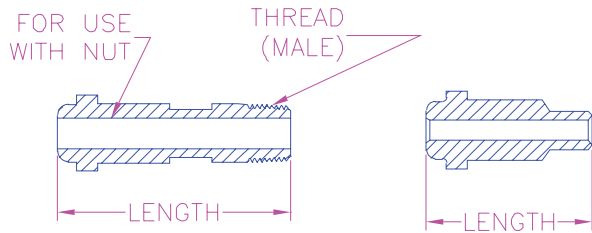
CGA Brass Tailpeices



Ordering Information

Part Number	CGA Connection	Thread of Bore for Tubing	Length (Approx.)
2603-2U	510, 580, 590	1/4" NPT	13/32"

Miscellaneous Brass Tailpeice



Ordering Information

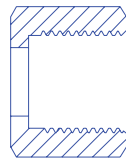
Part Number	For Use with Nut (RH or LH)	Figure	Thread of Bore for Tubing	Length (Approx.)
2233-3A	1" - 11 1/2 NPS	1	1/2" NPT	37/16"
2670-35		2	.312 I.D.	27/16"

Fig 1 THREADED

Fig 2 SWEAT END

Brass Union Connection Nuts

Internal Threads



Ordering Information

Part Number	Figure	Thread Connection	Wrench Flats
1302-1	2	9/16" - 18-LH	11/16"
1271-1		7/8" - 14-RH	1 1/8"
1371-1		7/8" - 14-LH	
2223-6		1" - 11 1/2 NPS-RH	1 3/4"
2223-6A		1" - 11 1/2 NPS-LH	

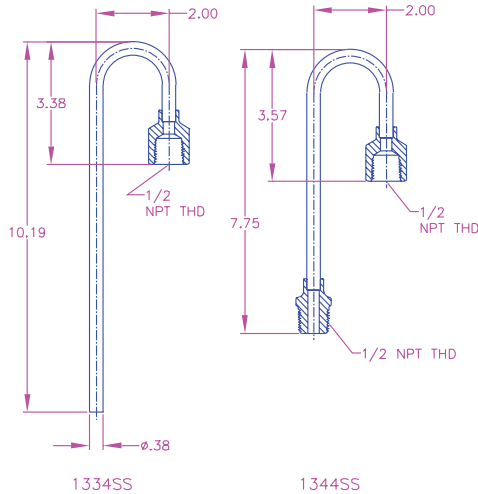
Candy Cane Riser Tubes and Assemblies For Piping-Away PRV9400, SS9400, PRV19400 & PRV29400 Series Relief Valves from Cryogenic Piping.

Materials

Tubing..... Stainless Steel
 Fitting: 1332SS..... Brass
 Fitting: 1334SS, 1344SS, 1344SSA..... Stainless Steel

Ordering Information

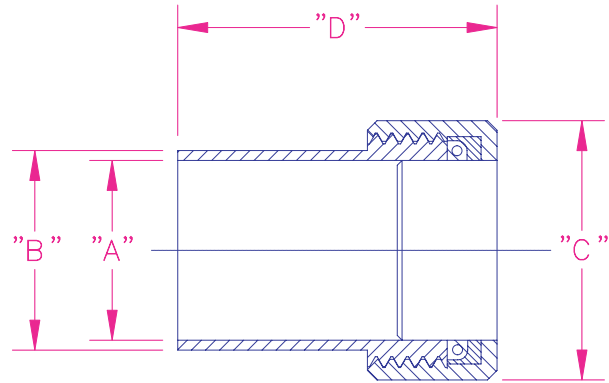
Part Number	Tubing Material	Fitting Material	"A" Relief Valve Connection	"B" Tubing OD
1332SS	Stainless Steel	Brass	1/4" FNPT	.375"
1334SS		Stainless Steel	1/2" FNPT	
1344SS				
1344SSA				.625"



Goddard Quikconnect Vacuum Couplings

Features

- An extensive range of tube sizes available. Most sizes nest, and can be used as reducers in combination with one another.
- May be used for vacuum down to 1×10^{-8} Microns
- Viton O-rings are standard
- “Quikconnect” vacuum couplings have four basic components:
 - * Knurled Nut
 - * Retainer Ring
 - * O-ring
 - * Sleeve



Ordering Information

Quikconnect Vacuum Couplings

Brass Machine Finish	“A”	“B”	“C”	“D”	Tube OD Size
B-000006-M	0.072”	0.375”	5/8”	1 1/32”	1/16”
B-000012-M	0.135”	0.375”	5/8”	1 1/32”	1/8”
B-000018-M	0.197”	0.375”	5/8”	1 1/32”	3/16”
B-000025-M	0.260”	0.375”	5/8”	1 1/32”	1/4”
B-000031-M	0.322”	0.500”	13/16”	1 1/4”	5/16”
B-000038-M	0.385”	0.500”	13/16”	1 1/4”	3/8”
B-000050-M	0.510”	0.625”	7/8”	1 1/4”	1/2”
B-000062-M	0.635”	0.750”	1 1/8”	1 3/8”	5/8”
B-000075-M	0.760”	0.875”	1 1/4”	1 1/2”	3/4”
B-000087-M	0.885”	1.000”	1 7/16”	1 23/32”	7/8”
B-000100-M	1.010”	1.125”	1 1/2”	1 13/16”	1”
B-000112-M	1.135”	1.250”	1 5/8”	1 15/16”	1 1/8”
B-000125-M	1.260”	1.500”	2”	1 3/16”	1 1/4”
B-000138-M	1.385”	1.625”	2”	1 3/16”	1 3/8”
B-000150-M	1.150”	1.750”	2 1/4”	1 3/16”	1 1/2”
B-000162-M	1.635”	1.875”	2 3/8”	2 1/4”	1 5/8”
B-000200-M	2.010”	2.250”	2 3/4”	2.70”	2”

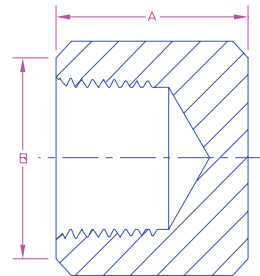
Brass Pipe Caps

Application

For capping cryogenic tank piping or gas pipelines.

Features

- Machined from brass.
- For 600 psig maximum working pressure service.
- Part number stamped on cap.
- Cleaned for oxygen per CGA G-4.1.



Ordering Information

Part Number	Thread Connections	Dim. A	Dim. B	Dim. C
CAP750	3/4" Female NPT	1.250"	1.313"	1.313"
CAP1000	1" Female NPT	1.500"	1.750"	1.750"
CAP1500	1 1/2" Female NPT	1.750"	2.375"	2.375"
CAP2000	2" Female NPT	2.000"	3.250"	3.250"