

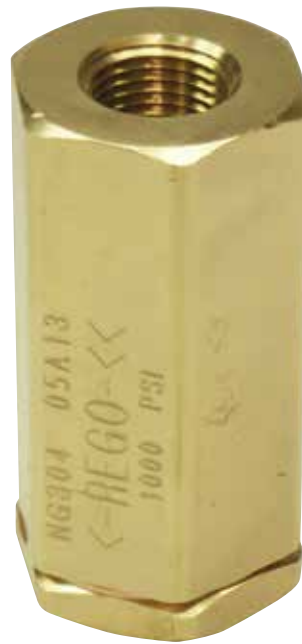
RegO® LNG Check Valves NG Series

Materials for NG301

Body Brass ASTM B16 C36000
 Spring Stainless Steel 302 ASTM A313
 Plug Brass ASTM B16 C36000
 Ball Stainless Steel 316

Materials for NG304

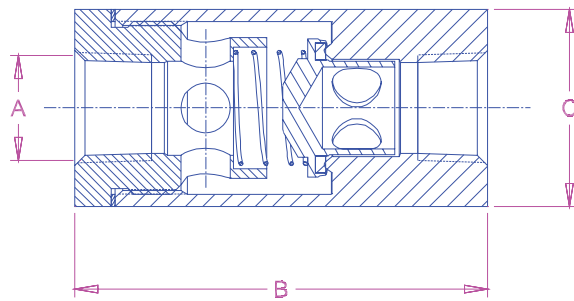
Body Brass ASTM B16 C36000
 Spring Stainless Steel 302 ASTM A313
 Gasket Copper ASTM B152 UNS C11000
 Poppet Brass ASTM B16 UNS C36000
 Seat Disc PTFE Virgin Teflon



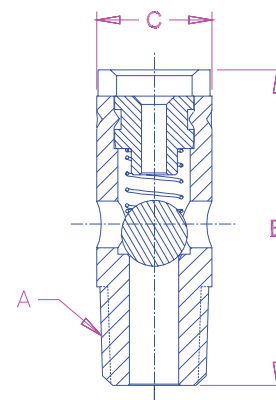
NG304



NG301



NG304



NG301

Ordering Information

Part Number	Size Inches	Size mm	Connection	A	Hex	Weight Lbs
NG301	1/8"	4mm	Threaded M.NPTF	1.200		0.01
NG304	1/2"	8mm	Threaded F.NPTF	3.135	1.5	1.25