

Cryogenic Pressure Builder RG Series

Application

The RG series cryogenic regulators are primarily designed to maintain pressure on cryogenic liquid within cryogenic containers. They may also be used in cryogenic lines, vaporizer and converter applications. They are especially useful in installations where space and cost limitations are important.

Features

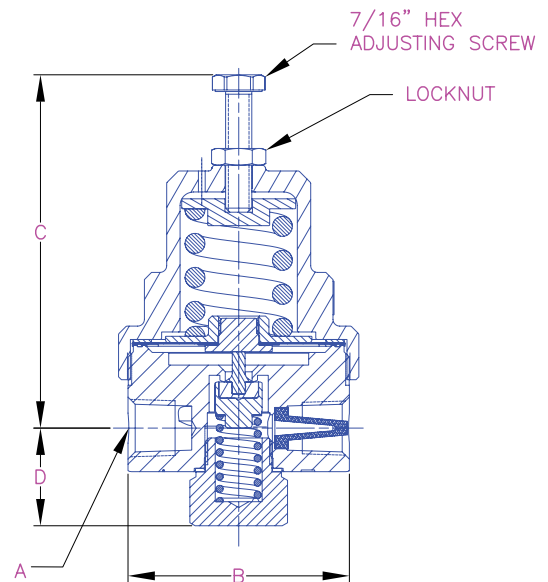
- All parts are copper alloy (brass), PTFE and stainless steel—materials selected specifically for compatibility with cryogenic temperatures down to -320°F. (-196° C)
- PTFE seat helps assure a positive shut-off at cryogenic temperatures down to -320°F. (-196° C)
- High and low pressure regulators are the same compact size—designed to fit in close quarters.
- Interchangeable with existing cryogenic regulator units.
- Inlet filter helps prevent foreign material from entering the regulator.
- Locknut is provided to maintain adjusting screw setting.
- RGXXXC Series available with flat inlet screen.
- RGXXXAG is available with T handle adjustment screen and gauge ports.
- Maximum inlet pressure of 550 PSIG. (37.9 Bar)
- Cleaned for liquid oxygen service per CGA G-4.1
- 100% Factory Tested

Materials

Body	Brass
Bonnet	Brass
Seat Retainer.....	Brass
Seat	PTFE
Springs	Stainless Steel
Diaphragm Gasket.....	PTFE
Backcap Gasket	Copper
Diaphragm.....	Bronze



RG Series



Ordering Information

Part Number	Inlet / Outlet Connections (F.NPT) A	Width B	C	D	Pressure Setting (PSIG)	Operating Range (PSIG)
RG022A	1/4"	2 1/16"	3"	1"	22	0-30
RG125A					125	25-250
RG125C3						
RG300A					300	125-350
RGXXXAG						

*Contact factory for additional settings.