

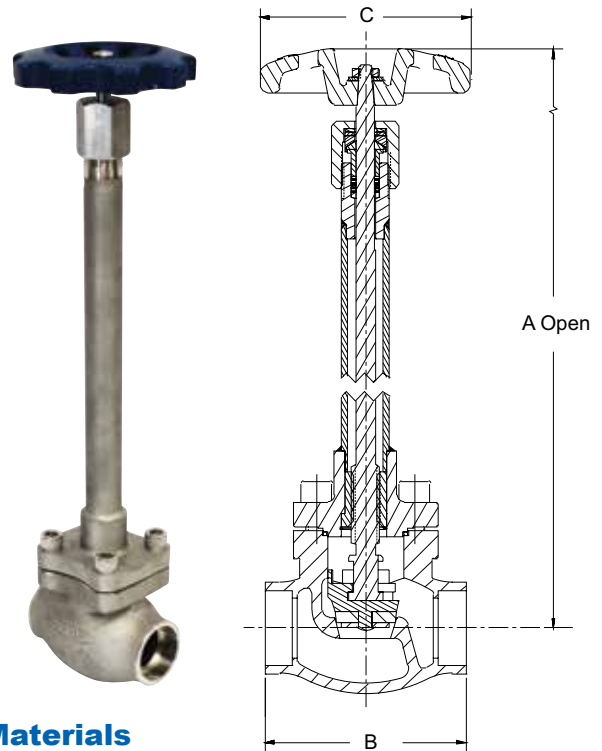
RegO Goddard Stainless Steel Globe Valves for Cryogenic Service SK Advantage Series

Application

The SK Advantage Series of Stainless Steel Globe Valves are designed for handling cryogenic liquids through trailer, bulk vessels and piping configurations. Ideal service medium includes oxygen, nitrogen, krypton, carbon dioxide, dinitrogen monoxide, carbon oxide, methane, ethane, ethylene, argon and LNG. Our Kold-Seal stem seal technology assures a tight seal preventing cryogen gas loss. The conical seat design allows exceptional flow, positive shutoff and less chance of debris accumulation in the flow path, all resulting in an overall longer service life. Maintenance on the packing and seat is quick and easy.

Features

- Soft Seat: PCTFE material which is the most widely specified cryogenic seat material in the industry.
- Construction: Bolted bonnet allows easy access to the valve internals for servicing.
- Stem Packing: Proven Kold-Seal technology, Live Loaded PTFE.
- Sizes: ½" through 1 ½"
- Connection: Socket weld and butt weld.
- Service: Liquefied and vaporized atmospheric gases, LNG.
- Temperature Rating: -325°F to +150°F (-198°C to +65°C).
- Pressure Rating: Cold, Non-Shock, 725 PSIG (50 BAR) Class 300 (PN 50).
- Cleaned and packaged for oxygen service per CGA G-4.1.
- Application: Multiple stem lengths available for selected service.
- Packaging: Each valve is individually bagged and boxed to arrive in factory new condition until installation.



Materials

Body Stainless Steel ASTM A351 CF8
 Bonnet and Tube Stainless Steel ASTM A351 CF8 / ASTM A479 Type 304
 Seat Disk PCTFE
 Seat Retainer Bronze
 Packing Live Loaded PTFE
 Handwheel Painted Aluminum
 Bonnet Gasket Reinforced PTFE
 Fasteners ASTM F837 UNS S30400

Quality / Facility Features

- Material traceability in accordance with BS EN 10204 3.1
- CE Marking per European Pressure Equipment Directive
- ISO 9001 accreditation

Ordering Information

*Part Number	Size (Inches)	Nominal Size DN	A (Inches)	A (mm)	B (Inches)	B (mm)	C (Inches)	B (mm)	Cv	Kv	Weight
SKM9404SW	½"	15	10.63	270	2.68	68	4	102	5	4.3	3.31
SKM9406SW	¾"	20			3.62	92			9.4	8.1	4.86
SKM9408SW	1"	25			4.75	121			5	127	28.3
SKM9412SW	1½"	40			4.75	121	5	127	28.3	25	8.92
SKL9404SW	½"	15	14.57	370	2.68	68	4	102	5	4.3	3.76
SKL9406SW	¾"	20			3.62	92			9.4	8.1	5.17
SKL9408SW	1"	25			4.75	121			5	127	28.3
SKL9412SW	1½"	40			4.75	121	5	127	28.3	25	9.48
SKM9404BW	½"	15	10.63	270	2.68	68	4	102	5	4.3	3.31
SKM9406BW	¾"	20			3.62	92			9.4	8.1	4.86
SKM9408BW	1"	25			4.75	121			5	127	28.3
SKM9412BW	1½"	40			4.75	121	5	127	28.3	25	8.92
SKL9404BW	½"	15	14.57	370	2.68	68	4	102	5	4.3	3.76
SKL9406BW	¾"	20			3.62	92			9.4	8.1	5.17
SKL9408BW	1"	25			4.75	121			5	127	28.3
SKL9412BW	1½"	40			4.75	121	5	127	28.3	25	9.48

*SW = Socket Weld; BW = Butt Weld