

# Needle Valves 1224, 1316 and 1318

## Application

These valves are high quality, “true” throttling valves. Unlike most so-called needle valves, both the body seat and stem are tapered to provide fine, precise control over a wide range of adjustment without stem galling.

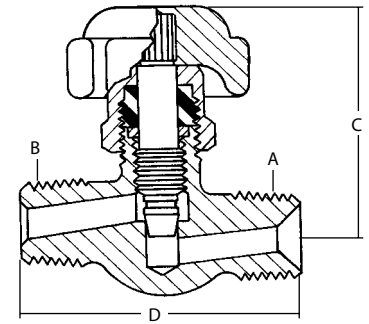


The 1224 may be used as a small, inexpensive shut-off valve between a pressure gauge and bulk storage container to allow for convenient gauge replacement.

The 1316 and 1318 provide taper pipe thread by left hand hose connection threads and are useful in a wide range of torch and fuel burner applications where an accurate throttling action is required.



1224



## Ordering Information

Part Number	A. Inlet Connection	B. Outlet Connection	C. Height	D. Length
1224WA	¼" M. NPT	¼" M. NPT	1 <sup>9</sup> / <sub>16</sub> "	1 <sup>3</sup> / <sub>4</sub> "
1316WA	9 <sup>1</sup> / <sub>16</sub> " - 18 L.H.	⅛" M. NPT		
1318WA		¼" M. NPT		