

# Unloading Adapters for Container Evacuation 3119A and 3120

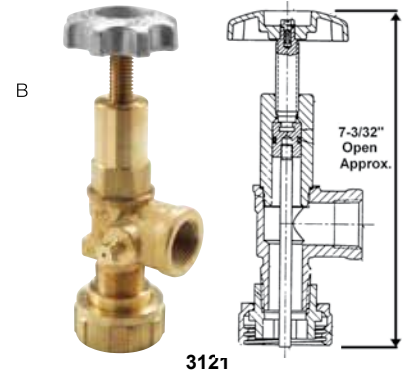
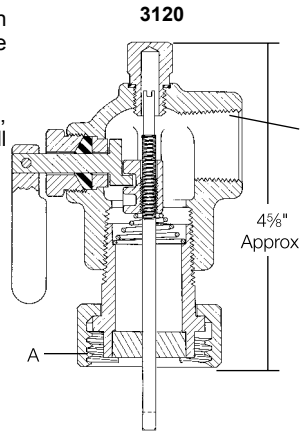
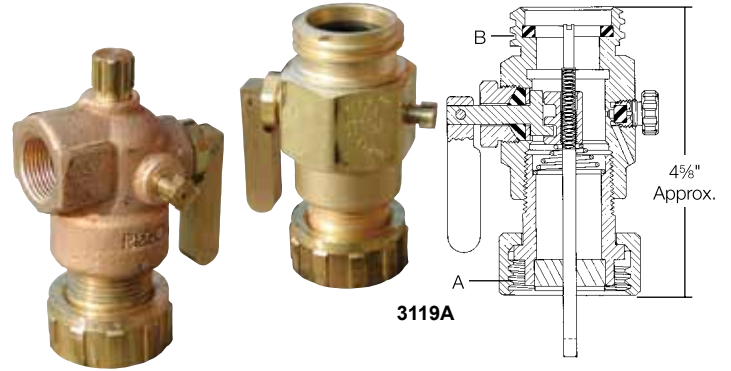
## Application

Designed to provide an efficient means of evacuating an LP-Gas container for relocation or repair. They thread directly onto the 1 3/4" ACME male hose connection of RegO® Filler Valves used on RegO® Double Check Filler Valves and Multivalves®.

The unloading adapters can be used to withdraw liquid provided the container is equipped with a dip pipe extending from the filler valve to the bottom of the container.

## Features

- Available in either angle or in-line type configurations.
- Built-in vent valve provides for a controlled release of gas which may be trapped within the unit after use and also helps to indicate closure of the Filler Valve.
- Integral plunger has two different lengths of travel, 1/4" and 1/2", depending on which way the lever is turned. Can be used with all RegO® Filler Valves.



## Materials

Body ..... Brass  
 Plunger ..... Steel

## Ordering Information

Part Number	Style	A. Filler Valve Connection	B. Hose Connection
3119A	In-Line	1 3/4" F. ACME	1 1/4" M. ACME
3120	Angle		3/4" F. NPT
3121			