

# 3/4" M/LACMEX 2" M.NPT Adapter with Vent Valve & Integral Screen 5769HVB

## Application

Designed to prevent debris from impeding the action of valves and components of LPG piping systems at bulk plants and industrial plants.



## Features

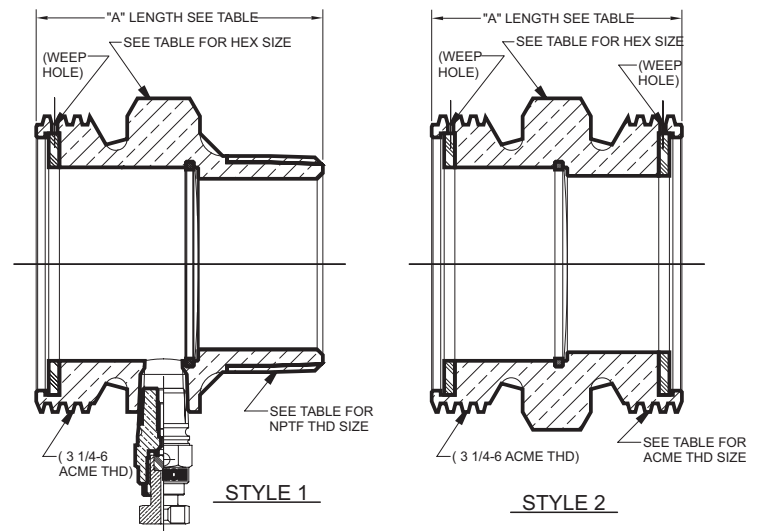
- Meets NFPA 58 requirements for liquid transfer
- Stainless steel screen
- Vent valve available in brass or stainless steel



**5769HVB**

## Materials

Body ..... Brass  
 Screen ..... Stainless Steel  
 Gasket ..... Resilient Rubber



## Ordering Information

Part Number	Style	Gasket Qty	Vent Valve	Hex Size	Thread	"A" Length
5769H	1	1	-	3/4"	2" M.NPT	2.875
5769K	1	1		3/2"	3" M.NPT	3.625
5769M	2	2		3/4" ACME	2.750	
5769HVB	1	1	3165CBT	3/4"	2" M.NPT	3.150
5769VSS	1	1	TSS3169			3.150