

Quick-Acting Valves for Cylinder Charging Hoses 7053T and 7901T Series

Application

Designed primarily for use on cylinder charging hoses to provide fast, convenient shut-off and fast opening.

These valves must be installed so that flow through the valve is in the opposite direction to that of a conventional globe valve. This allows the inlet flow to assist in closing the valve, and even more important, helps prevent the valve from being forced open by high pump pressure.

Features

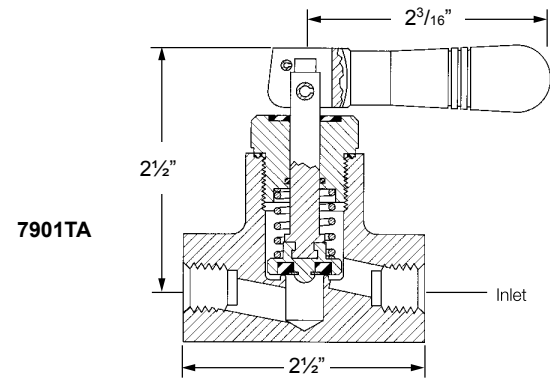
- Quick-acting design speeds transfer operations.
- Permits easy, one-handed opening and closing of the valve.
- O-ring stem seal design.
- Provides quick, positive shut-off.

Materials

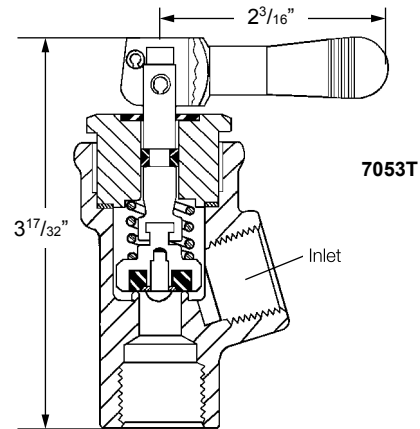
Body (7053T, 7901) Forged Brass
 O-Ring Resilient Synthetic Rubber
 Bonnet Assembly (7053T, 7901)..... Brass
 Seat Disc Resilient Synthetic Rubber
 Handle (7053T, 7901)..... Brass
 Springs Stainless Steel



7901T



7901TA



7053T



Ordering Information

Part Number	Inlet Connection (F. NPT)	Outlet Connection (F. NPT)	Body Material	Flow At 1 PSIG (CV) Pressure Drop* (GPM/Propane)
7901T	1/4"	1/4"	Brass	1.95
7901TA	3/8"	3/8"		
7901TB	1/2"	1/4"		
7901TC		1/2"		
7053T				

* To obtain approximate flow at other than 1 PSIG pressure drop, multiply flow in table by square root of pressure drop. Example: 7901T @ 9 PSIG = $\sqrt{9} \times 1.95 = 5.85$ GPM/propane. For NH3 flow, multiply propane flow by .90.