

# 7580F-20 Liquid Evacuation Adapter for older design 7572FC and 7580FC Chek-Lok® Valves

## Application

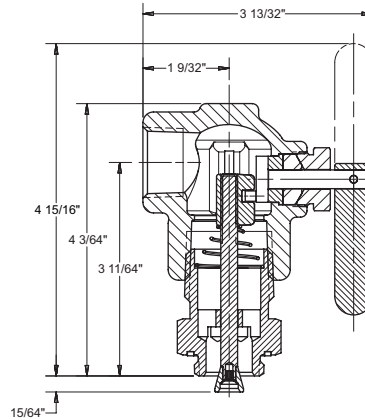
Designed specifically for use with RegO 7572FC and 7580FC Chek-Lok® Excess Flow Valves. The adapter's operating handle opens and closes the equalizing stem in these older style Check-Lok® valves. This adapter is designed to eliminate the need for gas to flow from the Chek-Lok® when the adapter is installed or removed. A shutoff valve, such as a full port ball valve must be installed at the outlet of the 7580F-20.

## Features

- Built in nylon gasket provides a gas tight seal.
- Adapter can be installed without depressing the equalizing stem of the Chek-Lok®.
- Design eliminates the need to slug the excess flow feature of the Chek-Lok® when removing the adapter.
- Built in bleeder valve allows for controlled discharge of liquid before removing the adapter.

## Ordering Information

Adapter Number	Inlet Connection	Outlet Connection	Approximate Length	Wrench Hex Flats
7580F-20	3/4" M-NPT	3/4" F. NPT	1 1/4"	3 1/16"



7580F-20

