

Fully Internal "Pop-Action" Pressure Relief Valves for Motor Fuel Containers 8543 8544 and 8546 Series

Application

8543 Series relief valves are designed for use as a primary relief valve in larger ASME motor fuel containers such as on buses, RV's, trucks and construction equipment.

8544 Series relief valves are designed for use as a primary relief valve in smaller ASME and DOT motor fuel containers such as on tractors, lift trucks, cars and taxicabs.

Features

- Assure minimum product loss due to "pop-action" design.
- Recessed design minimizes possibility of damage and tampering.
- All are threaded to accept RegO® Pipeaway Adapters that permit the addition of a discharge hose or piping.
- ASME rated for use with LP-Gas (except 8544K which meets DOT requirements).
- Specify RegO® Relief Valves on all your original equipment motor fuel container purchases for reliable performance.

Materials

Body Brass
 Spring (8543)..... Stainless Steel
 Spring (8544)..... Coated Steel
 Seat Disc Resilient Rubber



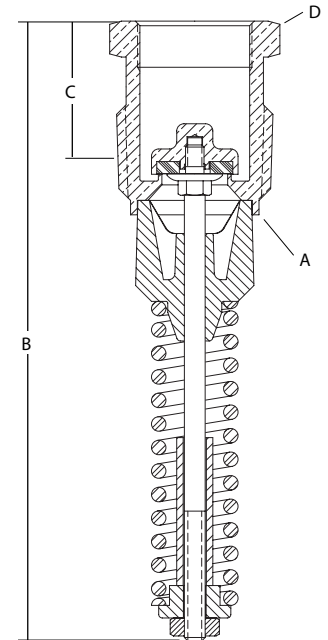
8546-11
3/4"



7544-11A
1"



7543-10
1 1/4"



8544



Ordering Information

Part Number	Container Type	Start To Discharge Setting PSIG	A Container Connection M. NPT	B Overall Height (Approx.)	C Height Above Coupling (Approx.)	D Hex Wrenching Section	Flow Capacity SCFM/Air****		Protective Cap (Included)	Accessories Pipeaway Adapter
							UL (At 120% of Set Pressure)	ASME (At 120% of Set Pressure)		
8546G	ASME	250	3/4"	4 1/2"	15/16"	1 1/16"	723	651	11565-26	8546-11
8544G			1"	5 7/16"	7/8"	1 5/16"	1020	936	7544-41G	7544-11A*
8543G			1 1/4"			1 11/16"	1465	1400	7543-40C	7543-10**
8546T		312	3/4"	4 1/2"	15/16"	1 1/16"	880	792	11565-26	8546-11
8544T			1"	5 7/16"	7/8"	1 5/16"	1282	1158	7544-41	7544-11A
8543T			1 1/4"			1 11/16"	1990	1731	7543-40C	7543-10**
8544A375T	DOT	375	1"			1 5/16"	NA	1384	7544-41G	7544-11A
8544K						1545***	NA	7544-41	7544-11A	

* 1" M. NPT outlet connection.

** 1 1/4" M. NPT outlet connection.

*** Rating also applies to DOT requirements.

**** Flow rates shown are for bare relief valves. Adapters and pipeaway will reduce flow as discussed in forewording information.