

Service Valves for ASME and DOT Containers or Fuel Line Applications 901C1, 9101C, 9101D, 9101R and PT9102 Series

Application

Designed for vapor withdrawal service on ASME and DOT containers or in fuel line applications. Since none of these valves have an integral pressure relief valve, they may only be used as an accessory valve on containers that have an independent pressure relief valve sufficient for that container's capacity.

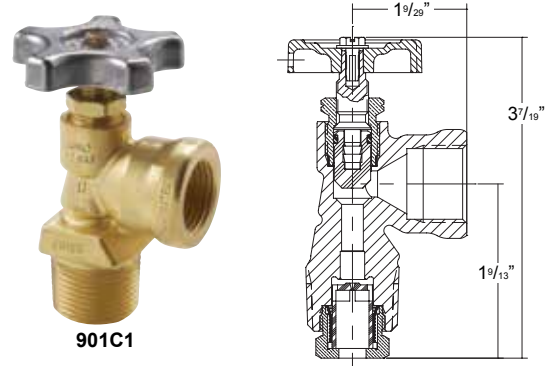


Features

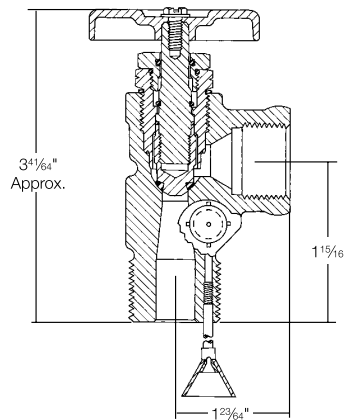
- O-Ring stem seal design provides positive seal.
- Metal-to-metal back seat provides added protection against leakage while the valve is open.
- Valves with fixed liquid level gauges permit operator to quickly determine when the maximum permitted filling level of the container is reached.
- 9101R Series with MultiBonnet allows quick and easy repair of bonnet.

Materials

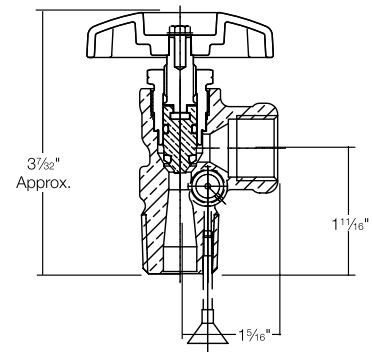
Body Forged Brass
 Handwheel..... Aluminum Die Cast
 Stem Brass
 O-Rings Resilient Synthetic Rubber
 Seat Disc Nylon



901C1



9101R1



PT9102



9101D

Ordering Information

Part Number	Bonnet Style	Container Connection	Service Connection	Fixed Liquid Level Vent Valve	Approximate Filling Rate Liquid Flow, GPM					
					Pressure Drop Across Valve					
					10 PSIG	25 PSIG	50 PSIG	100 PSIG		
901C1	Standard	3/4" M. NGT	F. POL CGA 510	No	5.3	8.2	10.8	14.2		
9101C1				No	8.8	12.4	15.8	21.7		
9101D11.1				Yes	8.6	12.7	16.3	22.3		
9101D11.7				Yes	8.6	12.7	16.3	22.3		
9101R1	MultiBonnet			3/4" M. NGT	F. POL CGA 510	No	7.6	11.7	15.2	20.6
9101R11.1						Yes				
9101R11.7						No				
PT9102R1						Yes				
PT9102R11.1		No								
PT9102R11.7		Yes								

Note: Since these valves have no integral pressure relief valve, they can be used on any container with an independent relief device sufficient for that tank's capacity.