

Service Valves for DOT Fork Lift Containers 9101P5 and 9101P6 Series

Application

Designed specifically for vapor or liquid withdrawal service on DOT fork lift containers. Valves with 1.5 GPM closing flow are for use in small and medium size lift truck applications, while those with 2.6 GPM closing flow are for large lift trucks. Since none of these valves have an integral pressure relief valve, they may only be used as an accessory valve on containers that have an independent pressure relief valve sufficient for that cylinder's capacity.

The integral excess flow valve found in all these service valves helps prevent excessive product loss in the event of fuel line rupture.

When installed for liquid withdrawal, the 9101P6 Series has provisions for attachment of a liquid withdrawal tube. The 9101P5 Series must be installed in containers that have provisions for a separate liquid withdrawal.

To ensure proper functioning and maximum protection for integral excess flow valves, these service valves should be fully opened and backseated when in use.

Features

- Incorporates integral excess check valve and shut-off valve in one unit.
- Special 1.5 GPM closing flow on select valves provided especially for lift trucks and equipment with smaller engines.
- Double lead stem thread provides faster opening and closing.
- O-Ring stem seal design provides positive seal.
- Tapered and confined seat disc provides positive shut-off.
- Metal-to-metal back seat provides added protection against leakage while the valve is open.
- 9101P6 Series equipped with a 1/4" NPT internal thread for the addition of a liquid withdrawal tube.

Materials

Body Forged Brass
 Handwheel..... Aluminum Die Cast
 Stem Brass
 O-Rings Resilient Synthetic Rubber
 Seat Disc Nylon

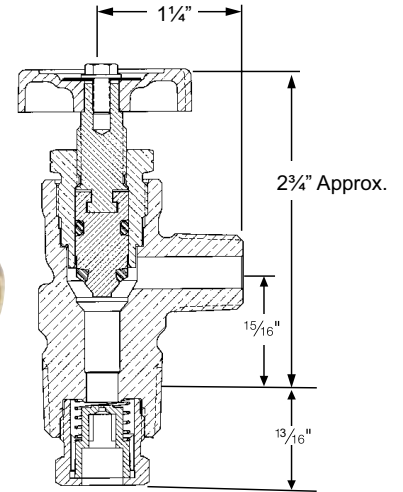
Ordering Information

Part Number	Container Connection	Service Connection	Liquid Withdrawal Connection	Closing Flow (LP-Gas)			Approximate Filling Rate Liquid Flow, GPM				Accessories		
				Vapor		Liquid (GPM)	Pressure Drop Across Valve				ACME Check Connectors		
				25 PSIG Inlet (SCFH)	100 PSIG Inlet (SCFH)		10 PSIG	25 PSIG	50 PSIG	100 PSIG	Male	Female	Cap
9101P5	1/4" M. NGT	3/8" M. NPT	None	430	900	1.5	5.0	7.6	10.7	14.9	7141M	7141F	7141M-40 or 7141FP
9101P5H				550	1050	2.6							
9101P6			1/4" NPT	430	900	1.5	4.5	7.2	10.3	14.8			
9101P6H				550	1050	2.6							

Note: These valves incorporate an excess flow valve. Refer to L-500/Section F, for complete information regarding selection, operation and testing of excess flow valves.



9101P5
9101P5H



9101P6
9101P6H

