

Heavy-Duty Cylinder Valves for Vapor Withdrawal 9103 Series

Application

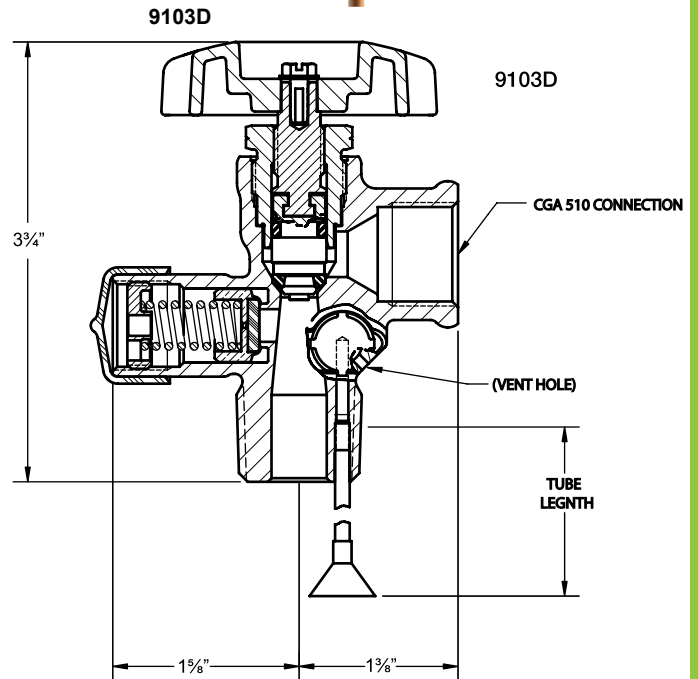
This heavy duty cylinder valve is designed for vapor withdrawal of DOT cylinders up to 100 lbs. propane capacity. It is used in domestic hookups, and industrial commercial installations.

Features

- Equipped with a fast filling throat and high lift, o-ring stem seal design.
- Utilizes a nylon tapered seat design for positive closing.
- Available with a fixed liquid level gauge.
- Self-tapping screw secures handwheel to stem and reduces possibility of handwheel vibrating loose while in transit.

Materials

Body	Forged Brass
Handwheel.....	Aluminum
Stem	Brass
O-Rings	Resilient Rubber
Seat Disc	Nylon
Relief Spring	Stainless Steel



Ordering Information

Part Number	Container Connection	Service Connection	Fixed Liquid Level Vent Valve	Dip Tube Length w/ Deflector	Pressure Relief Valve Setting	For Use in Cylinders w/Propane Capacity Up To:	Approximate Filling Rate Liquid Flow, GPM				Accessories
							Pressure Drop Across Valves				
							10 PSIG	25 PSIG	50 PSIG	100 PSIG	POL Plug
9103D10.6	3/4" M NGT	F, POL (CGA 510)	Yes	10.6"	375 PSIG	100 lbs.	12.7	20.3	29.0	41.3	N970P
9103D11.6				11.6"							