

Tamper-Resistant Cylinder Valve with Outlet Check for Vapor Withdrawal 9103T9F

Application

This valve is designed for vapor withdrawal from and protection of DOT cylinders up to 100 lbs. propane capacity. Ideal for cylinders used in the field by construction crews, utility repair men and plumbers.

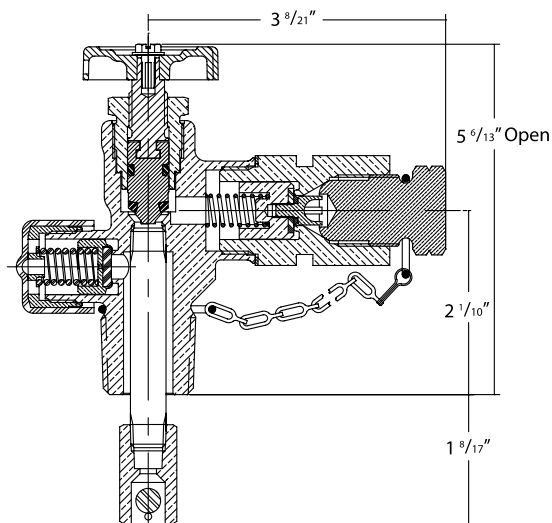
Features

- Minimizes the risk of unauthorized persons withdrawing propane from cylinders not in service. It is necessary to install a male POL connection to open the outlet check to withdraw vapor from the valve.
- Ball type excess flow located in the valve inlet protects against excessive discharge if the cylinder is tipped or the hose ruptures. Closing flow is 200 SCFH at 100 PSIG.
- Removable POL outlet and check mechanism make field replacement of worn connections an easy process without removing the valve from the cylinder.
- Outlet seal plug on a heavy duty chain prevents dirt from entering POL when not in use.
- Nylon tapered seat design provides positive closure.



Materials

Body	Forged Brass
Handwheel.....	Aluminum Die Cast
Stem	Brass
O-Rings	Resilient Rubber
Seat Disc	Nylon
Relief Spring.....	Stainless Steel
Plug	Brass



Ordering Information

Part Number	Container Connection	Service Connection	Fixed Liquid Level Vent Valve Style	Pressure Relief Valve Setting	For Use in Cylinders w/ Propane Capacity Up To:	Approximate Filling Rate Liquid Flow, GPM			
						Pressure Drop Across Valves			
						10 PSIG	25 PSIG	50 PSIG	100 PSIG
9103T9F	3/4" M. NGT	F. POL (CGA 510)	None	375 PSIG	100 lbs.	5.0	7.6	10.7	14.9

NOTE: These valves incorporate an excess flow valve. Refer to L-500/Section F, for complete information regarding selection, operation and testing of excess flow valves.