

Cylinder Valve for RV and Small ASME System Vapor Withdrawal 9106CO

Application

Designed especially for vapor withdrawal service in small ASME containers with surface area up to 23.8 square feet. UL flow capacity is 645 SCFM/air.

Features

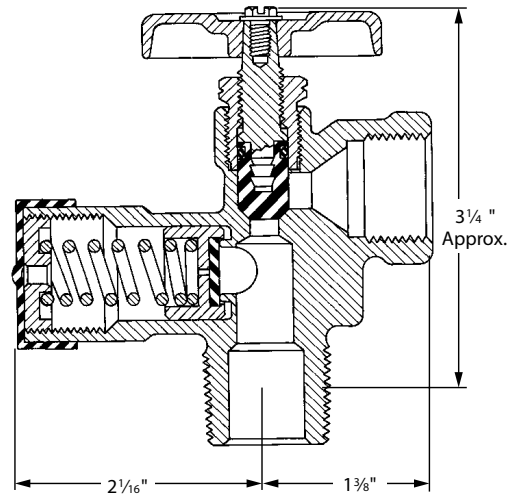
- One-piece relief valve is shielded from tampering and damage.
- Relief is forged as part of the body for extra strength.
- 312 PSIG Relief Valve setting.

Materials

Body Forged Brass
 Handwheel..... Aluminum Die Cast
 Stem Brass
 Seat Disc Nylon
 Relief Spring..... Stainless Steel



9106CO



Ordering Information

Part Number	Container Connection	Service Connection	Fixed Liquid Level Vent Valve Style	Pressure Relief Valve Setting	For Use In Cylinders w/ Propane Capacity Up To	Flow Capacity SCFM/Air
9106CO	3/4" M. NGT	F. POL (CGA 510)	none	312 PSIG	ASME Tanks*	645

* Surface area up to 23.8 square feet.