

New from RegO® Delta Port Relief Valve Manifolds 8530/AA8530 Series

Application

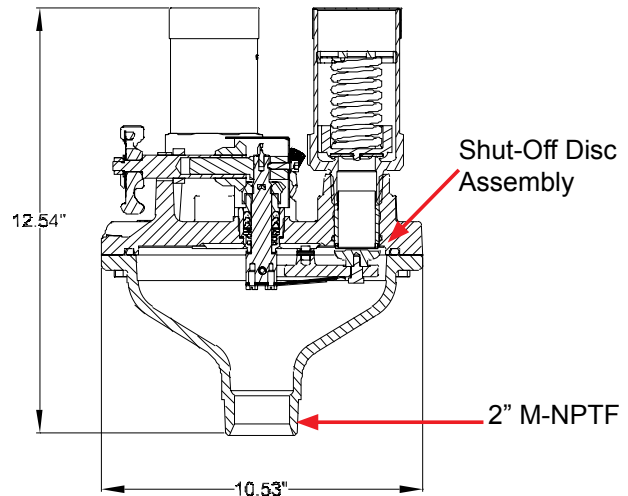
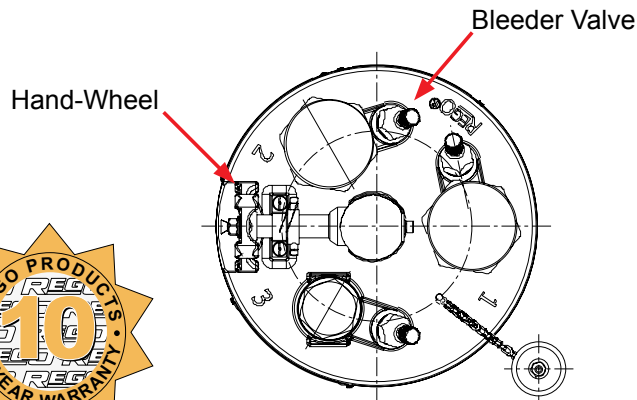
Designed especially for use as a primary relief device on large stationary pressurized storage containers the base is supplied with a two inch NPT threaded container connection. These manifolds incorporate an additional relief valve, not included in the flow rating, allowing for servicing or replacement of any one of the relief valves without evacuating the container. The hand-wheel on the manifold selectively closes off the entrance port to the relief valve being removed while the remaining relief valves provide protection for the container and its contents. All manifold flow ratings are based on flow through the relief valves after one has been removed for service or replacement.

Materials

Body Ductile Iron
Resilient Parts Teflon
Clapper Disc Stainless Steel
Bleeder Valve Stainless Steel

Relief Valve Materials

Body (3135) Brass
Spring Guide (3135) Brass
Body (AA3135) Aluminum
Spring Guide (AA3135) Aluminum
Spring (3135 & AA3135) Stainless Steel
Seat Disc (3135 & AA3135) Resilient Synthetic Rubber



Ordering Information

Part Number	Start to Discharge Setting PSIG	Application		Container Connection M-NPTF	Qty.	Relief Valve		Accessories Pipe-away Adapter**	ASME Flow Rating SCFM (air) @ 120% of Set Pressure *
		LPG	NH ₃			Part Number	Inlet Connection M-NPT		
8532AG	250	Yes	No	2"	2	3135MG	1/4"	3135-10	5,549 (1)
8533AG					3				11,098 (2)
AA8532MA250		No	Yes		2	AA3135MA250		AA3135-10	6,341 (1)
AA8533MA250					3				12,682 (2)
AA8532MA265	265	No	Yes	2	AA3135MA265	AA3135-10	6,615 (1)		
AA8533MA265				3			13,230 (2)		

* Flow rating based on number of relief valves indicated in parenthesis ().

Flow rates shown are for bare relief valves. Adapters and pipe-always will reduce flow rates as discussed in forwarding information in L-500 catalog.

** 2" F. NPT outlet connection

D18