

Combination Valve for Bulk Storage Containers A2805C

Application

Designed for installation on bulk storage containers, this valve combines a pressure gauge mounting and provision for a fixed tube liquid level gauge.

The shut-off valve prevents the pressure gauge from being subjected to constant pressure, thereby prolonging its life and accuracy. The valve may be closed, and the vent valve opened to vent pressure from the gauge to permit replacement.

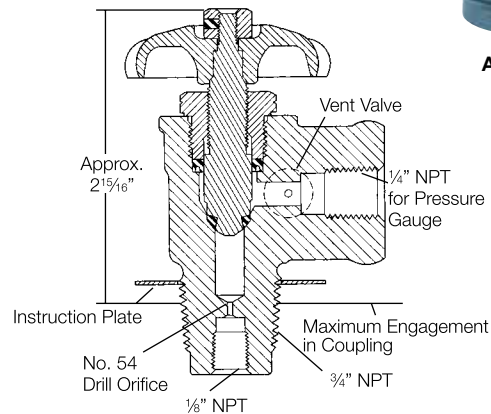
For fixed liquid level gauging, the valve can be mounted at the maximum permitted filling level. When equipped with a dip tube threaded 1/8" M.NPT, it can be installed at any convenient level.

Materials

Body 2805C.....	Brass
Body A2805C.....	Ductile Iron
Bonnet.....	Steel
Valve Stem.....	Stainless Steel
Vent Stem.....	Stainless Steel
Valve Stem Seal.....	Resilient Synthetic Rubber
Vent Seal.....	Resilient Synthetic Rubber
Valve Seat.....	Nylon



A2805C



Ordering Information

Part Number	Container Connection	Service Connection	Liquid Level Vent
A2805C	3/4" M. NPT	1/4" F. NPT for Gauge Mounting	Knurled*

* Has 1/4" F. NPT opening for installing separate dip tube.