

New 3" Soft Seat Back Check Valve A3198S

Application

Designed to provide protection in a container opening when desired flow is always into the container. May be used on in-line applications where flow must be limited to one direction. Note: The 3" M-NPT connections must be used for in-line service, the 2" outlet connection is for a standpipe when installed inside of a container.



Features

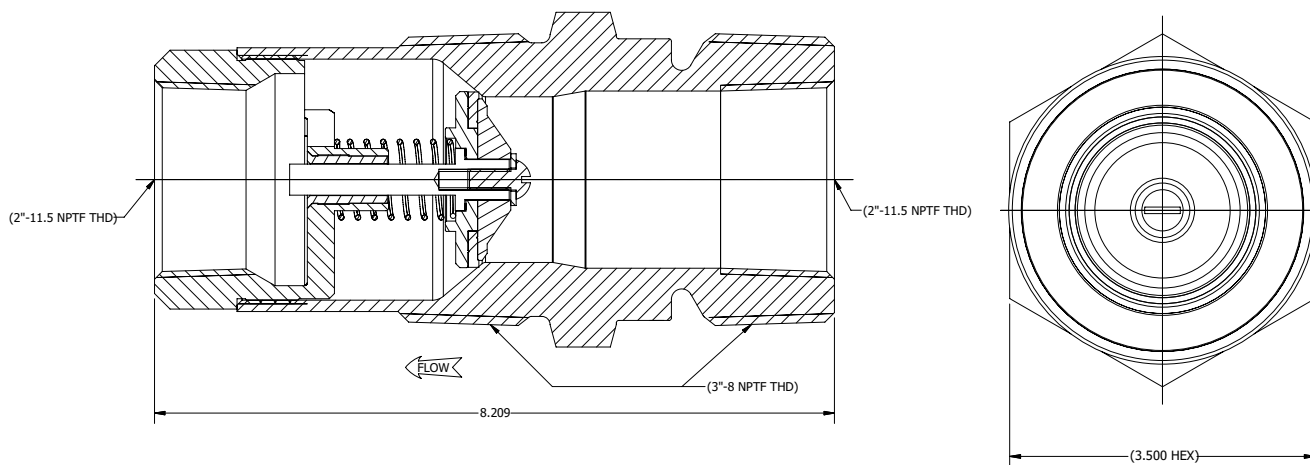
- Large flow area designed to keep the pressure drop low.
- Heavy-duty construction for long service life.
- Synthetic rubber seat disc for a positive seal.

Materials

Body Cadmium Plated Steel
 Disc..... Cadmium Plated Steel
 Stem..... Stainless Steel
 Spring..... Stainless Steel
 Seat Disc..... Synthetic Rubber



A3198S



Ordering Information

Part Number	Inlet Connection	Outlet Connection	Wrench Hex Flats	Effective Length (Approx.)	Propane Liquid Capacity at Various Differential Pressures (GPM)		
					5 PSIG	10 PSIG	25 PSIG
A3198S	3" Male & 2" Female	3" Male & 2" Female	3½"	3 ⅞"	210	290	400