

Straight Through 1½" Internal Valve A3211D Series

Application

Designed primarily for use with LP-Gas and anhydrous ammonia as a main valve on pumping systems, and in-line installations. Installation is quick and easy and it fits in both full and half couplings, as well as, in-line applications. The valve may be opened manually by hand or pneumatic actuator.

Features

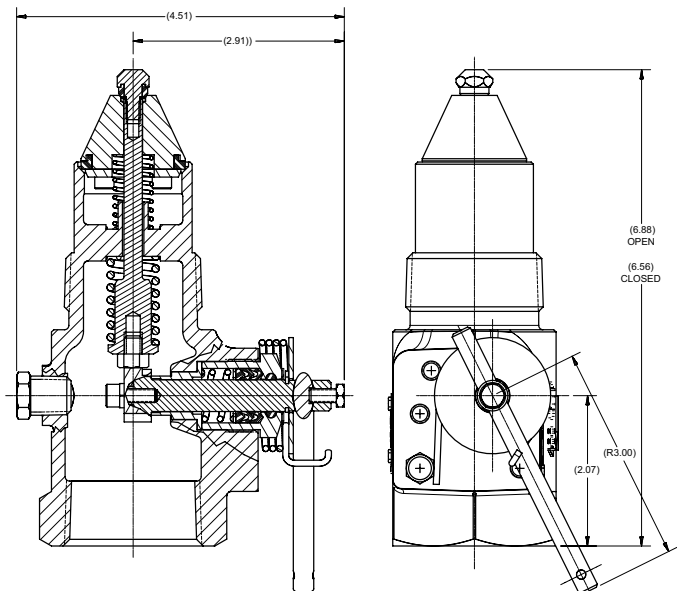
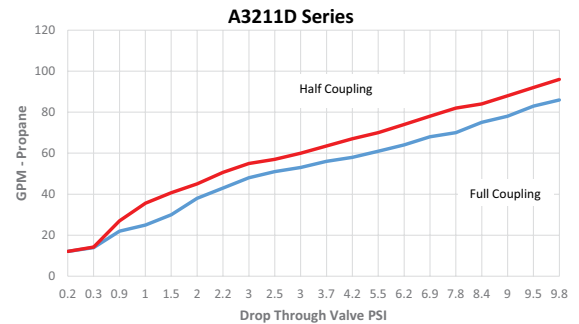
- Valve is compact, with one piece body construction.
- Spring loaded V-packing with heavy duty wiper ring on operating shaft for dependable leak-free construction.
- Nylon bearing supported operating shaft provides smooth, easy operation.
- Simple operating lever allows for easy connection of cable controls.
- Built in excess flow valve
- Return spring forces the valve to the closed position when the lever is released.
- All critical operating components are located in the valve body and inside the container coupling for maximum protection against damage.
- Midway stem position allows for quick pressure equalization.
- Equipped with 212° F, UL listed fuse link for thermal protection.

Materials

Body Ductile Iron
 Operating Lever..... Cadmium Plated Carbon Steel
 Stem Stainless Steel
 Springs Stainless Steel
 Shaft Bearing..... Nylon
 Seat Disc Synthetic Rubber



A3211D



Ordering Information

Part Number	Inlet M.NPT	Outlet F.NPT	Closing Flow GPM				LP-Gas Vapor Capacity (SCFH/Propane)		Accessories	
			Half Coupling		Full Coupling		25 PSIG Inlet	100 PSIG Inlet	Thermal Latch	Pneumatic Actuator
			LP-Gas	NH ₃	LP-Gas	NH ₃				
A3211D080	1½"	1½"	80	72	63	67	15,700	26,700	A3209TL	A3209PAF
A3211D110	1½"	1½"	110	99	84	76	N/A	N/A		