

Back Pressure Check Valves for Flanged Installation A3400L4 and A3400L6

Application

Designed to provide high flow capacity and allow more efficient tank filling than conventional designs. The unobstructed throat area reduces flow turbulence through the valve, thereby reducing pressure drop. Large flow channels and spacious side ports assure ample capacity for the most demanding high capacity filling operations.

The valve is designed for installation in internally threaded flanges in container bottoms.

Features

- Speeds up filling operations in bulk tanks.
- All steel and stainless steel construction assures long service life.

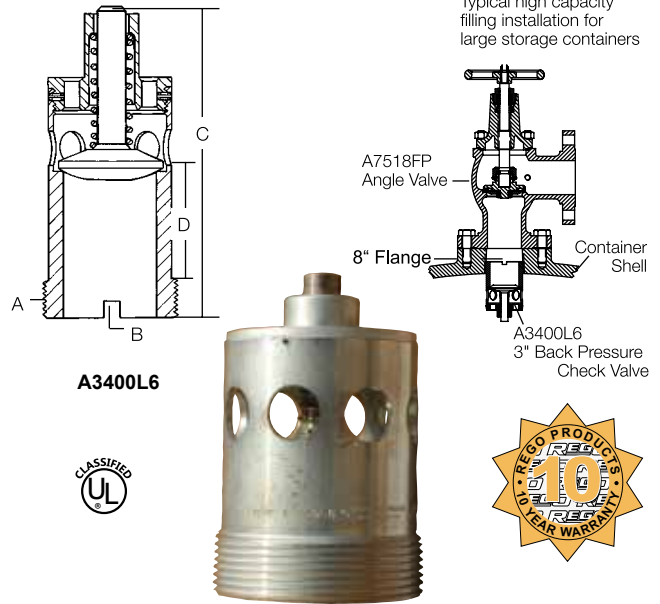
Materials

Body	Cadmium Plated Steel
Stem	Stainless Steel
Spring	Stainless Steel
Disc	Cadmium Plated Steel
Guide	Stainless Steel
Roll Pin	Stainless Steel

Ordering Information

Part Number	A. Flange Connection M. NPT	B. Wrench Hex Flats	C. Overall Length	D. Threaded End To Port	Propane Liquid Capacity at Various Differential Pressures (GPM)			
					5 PSIG	10 PSIG	25 PSIG	50 PSIG
A3400L4	2"	Slotted	5¼"	1½"	223	316	500	707
A3400L6	3"		5½"	1¾"	424	600	949	1342

NOTE: For installation in flange tank connections with internal threads, see the "Flanged Installation in Container" section under "Excess Flow Valves."
Multiply flow rate by .94 to determine liquid butane capacity and by .90 for liquid anhydrous ammonia capacity.



A3400L6

