

# Excess Flow Valves for Container Service

## A7537 Series, A7539 Series, A8523 and A8525

### Application

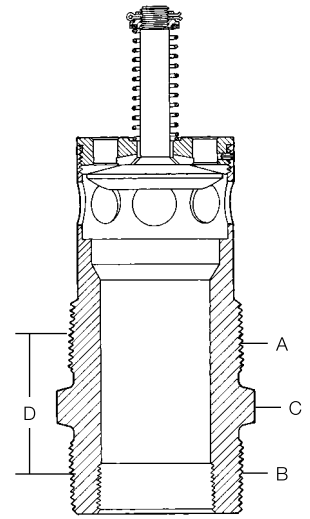
Designed for mounting in threaded full or half couplings in container installations. They may be used for filling, withdrawal or vapor equalizing applications. The exceptionally low pressure drop makes them ideal for pump suction lines. If a riser pipe to the vapor space is used with these valves, the minimum inside diameter of the riser pipe must be at least two times the valve thread size in order not to restrict flow to the side inlet ports.

### Features

- Precision machined.
- Generous flow channels provide low pressure drop minimizing cavitation in pump suction lines.
- Cotter pin prevents loss of spring retainer due to vibration in service.
- Stainless steel spring provides consistent closing flow and long service life.
- Separate models for installation in either half or full couplings.



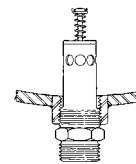
**A7537N4**



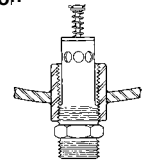
### Materials

Body .....	Cadmium Plated Steel
Body (A7539 Series Only) .....	Ductile Iron
Seat Disc .....	Cadmium Plated Steel
Stem .....	Stainless Steel
Spring .....	Stainless Steel
Guide .....	Cadmium Plated Steel

### Typical Installation

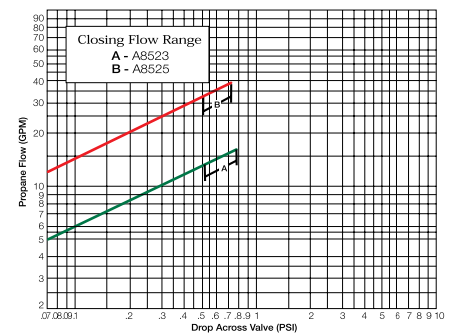
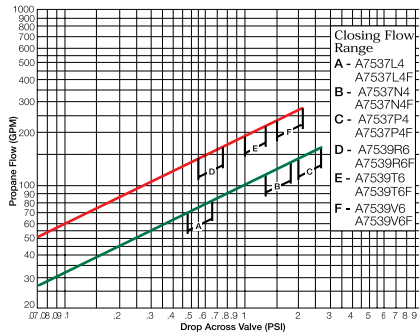


**Half Coupling**



**Full Coupling**

### Performance



NOTE: Multiply flow rate by .94 to determine liquid butane flow and by .90 to determine liquid anhydrous ammonia flow.



### Ordering Information

Part Number	For Use With This Type Coupling	A Inlet Connection M. NPT	B Outlet Connection NPT	C Wrench Hex Flats	D Effective Length (Approx.)	Approximate Closing Flow*		
						Liquid (GPM Propane)	Vapor SCFH (Propane)	
							25 PSIG Inlet	100 PSIG Inlet
A8523	Half	3/4"	3/4" Male	1 1/8"	1 3/4"	15	5,170	8,800
A8525	Half	1 1/4"	1 1/4" Male	1 1/4"	2 1/8"	35	12,540	21,560
A7537L4	Half	2"	2" Male and 1 1/4" Female	2 5/8"	2 1/2"	75	13,000	25,600
A7537L4F	Full					125	25,000	42,500
A7537N4	Half							
A7537N4F	Full							
A7537P4	Half	3"	3" Male and 2" Female	3 3/4"	3 1/2"	150	30,500	52,000
A7537P4F	Full					150	32,100	55,500
A7539R6	Half							
A7539R6F	Full							
A7539T6	Half	3"	3" Male and 2" Female	3 3/4"	3 1/2"	200	39,400	68,300
A7539T6F	Full					250	51,100	88,700
A7539V6	Half							
A7539V6F	Full							

\* Based on horizontal installation of excess flow valve. Flows are slightly more when valves are installed with outlet up; slightly less when installed with outlet down.