

ESV Pneumatic Controls

Application

RegO® Emergency Shut-Off Valves modified for remote pneumatic shutdown operation retain all the operating features of the standard valves.

Once equipped with pneumatic cylinders and then pressurized, the pneumatic cylinder piston rod disengages from a striker plate, allowing the ESV to be manually opened and the striker plate to act as a latch and hold the valve open. Release of the control system pressure for any reason closes the ESV for fail-safe operation.

Features

Convenience

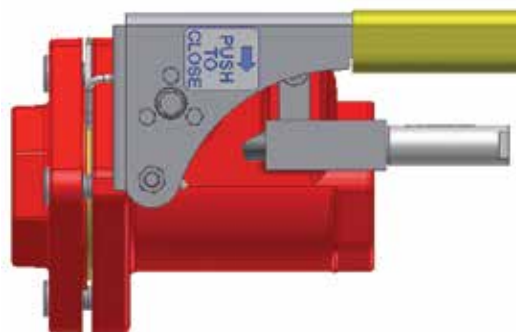
- Closes the liquid and vapor ESV from a convenient remote location.
- Independent closed loop system allows the ESV to be pneumatically charged, but opened or closed manually or with cable controls to conserve pressurized gas.

Reliability

- Independent closed loop system will continue to hold pressure and close ESV in an emergency - even if supply pressure is cut off.

Security

- Any loss of pressure from the control line, such as accidents or the line melting from fire, automatically shuts down the liquid and vapor ESV.
- ESV must be reset after automatic shutdown.



6016 with 6016-60D Remote Close Actuator



7605PN-50 Pneumatic Remote Control Kit

Control kit with components for connecting and charging the pneumatic controls from a source of compressed gas (air or nitrogen) to a RegO® liquid or vapor ESV. Includes charging valves with low pressure indicator, operating valves, 100 feet of ¼" plastic tubing and tube fittings.



Ordering Information

Part Number	Description
7781AFPN-1	Cylinder assembly kit to convert 7781AF ESVs to pneumatic shutdown.
6016-60D	Cylinder assembly kit to convert 6016 ESVs to pneumatic shutdown.
7605PN-50	Pneumatic remote shutdown system kit, complete with 100' of tubing, fittings, 1 charging valve assembly and 1 remote shutdown valve assembly
7605APN-8A	Extra shutdown valve assembly
7605A-BT	100' roll of ¼" pneumatic tubing.
7605AP-16	¼" tubing tee, with nuts.
7605AP-15	⅛" NPT x ¼" tubing, straight connector.