

Low Pressure Second Stage Regulators LV4403B66RA Series

Application

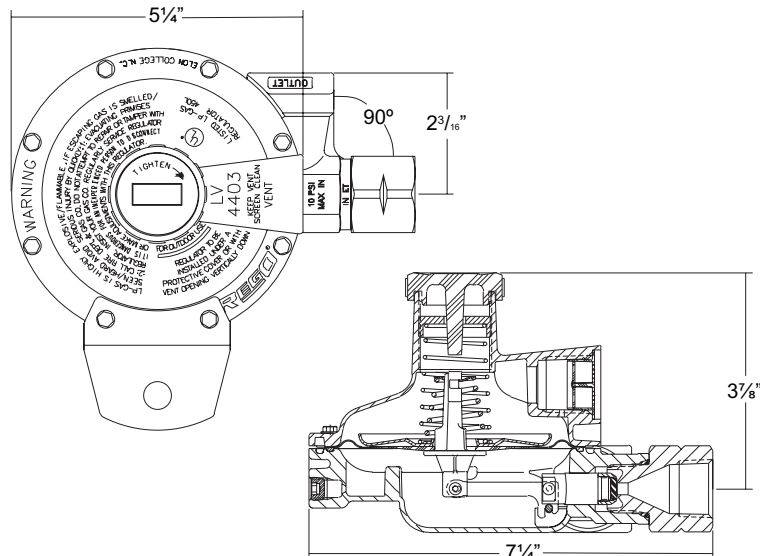
Designed to reduce first stage pressure of 5 to 20 PSIG down to burner pressure, normally 11" w.c. Ideal for medium commercial installations, vapor meter installations and normal domestic loads.

Features

- 90 degree right angle inlet to outer connection for meter or standard installations.
- Large vent helps to prevent blockage and has 3/4" F. NPT for vent piping.
- With 15 PSIG inlet pressure, regulator is designed to not pass more than 2 PSIG with the seat disc removed.
- Replaceable valve orifice and valve seat.
- Straight line valve closure reduces wear on seat disc
- Unique bonnet vent profile minimizes vent freeze over when properly installed.
- Large molded diaphragm is extra sensitive to pressure changes.
- Built in pressure tap has plugged 1/8" F. NPT outlet. Plug can be removed with a 3/16" hex allen wrench.
- Select Brown Finish

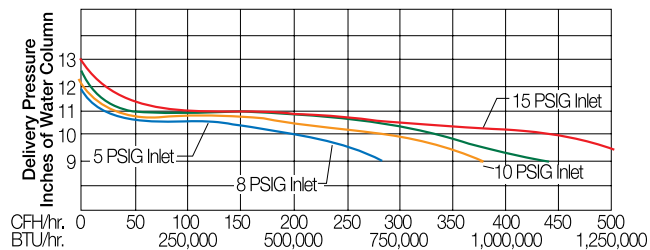
Right Angle Design

Can mount directly to vapor meter. It is also suitable for mounting directly to the house piping. It will retrofit into existing installations that are currently using a 90 degree, right angle regulator.



Materials

Body	Die Cast Zinc
Bonnet	Die Cast Zinc
Nozzle Orifice	Brass
Spring	Steel
Valve Seat Disc	Resilient Rubber
Diaphragm	Integrated Fabric and Synthetic Rubber



Ordering Information

Part Number	Inlet Connection	Outlet Connection	Orifice Size	Factory Delivery Pressure	Adjustment Range	Bonnet Vent Position	Vapor Capacity BTU/hr. Propane*
LV4403B66RA	3/4" F. NPT	3/4" F. NPT	3/16"	11" w.c. at 10 PSIG Inlet	9" to 13" w.c.	Over Inlet	1,000,000
LV4403B66RAB**							

* Maximum flow is based on 10 PSIG inlet and 9" w.c. delivery pressure.*** Mounting Bracket Included.