

Low Pressure Second Stage Tobacco Barn Regulator LV5503G4 Series

Application

Especially developed for drying barns in the tobacco industry. The LV5503G4 regulator will supply a steady and constant flow of fuel to as many as 12 to 20 burners throughout the barn.



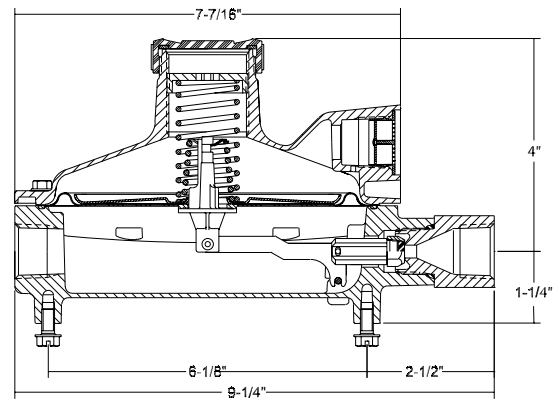
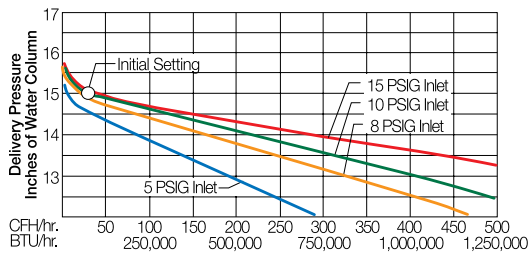
LV5503G4 Series

Features

- Similar to construction of the LV5503B Series. Provides the same stability, low lock-up, and sensitive performance.
- Equipped with integral relief valve.
- Built in pressure tap has plugged $\frac{1}{8}$ " F.NPT outlet. Plug can be removed with a $\frac{3}{16}$ " hex allen wrench.
- Distinctive yellow finish.

Materials

Body Die Cast Aluminum
 Bonnet Die Cast Aluminum
 Nozzle Orifice Brass
 Spring Steel
 Valve Seat Disc Resilient Rubber
 Diaphragm Integrated Fabric and Synthetic Rubber



Ordering Information

Part Number	Inlet Connection	Outlet Connection	Orifice Size	Factory Delivery Pressure	Adjustment Range	Bonnet Vent Position	Vapor Capacity BTU/hr. Propane*
LV5503G4	$\frac{1}{2}$ " F. NPT	$\frac{3}{4}$ " F. NPT	$\frac{1}{4}$ "	15" w.c. at 15 PSIG Inlet	8" - 18" w.c.	Above Inlet	1,750,000

Maximum flow is based on 15 PSIG inlet pressure and 13" w.c. delivery pressure.