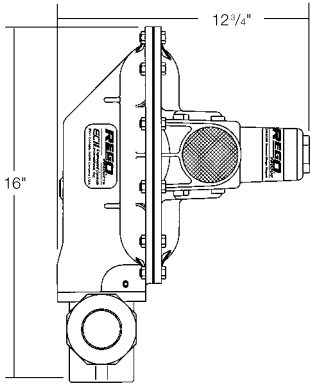


# Large Capacity Second Stage Regulators LV6503B Series



## Application

These regulators are designed to reduce gas pressure from the first stage regulator down to appliance pressure, normally 11" w.c. They are for use in LP-Gas applications.

## Features

- Tee style inlet and outlet connections – made from ductile iron.
- Incorporate integral large 2" F.NPT relief vents.
- Built in pressure taps for both inlet and outlet pressure.
- Full capacity relief at 10 psig inlet will keep the down stream pressure at less than 2 PSIG per NFPA 58.

## Materials

Inlet Body..... Ductile Iron  
 Body ..... Cast Aluminum  
 Bonnet ..... Cast Aluminum



## Ordering Information

Part Number	Inlet Connection	Outlet Connection	Orifice Size	Factory Delivery Pressure	Adjustment Range	Bonnet Vent Position	Vapor Capacity BTU/hr. Propane
LV6503B14	1½" F. NPT	1½" F. NPT	5/8"	11" w.c. at 10 PSIG Inlet	8½" - 14" w.c.	Over Inlet	8,000,000
LV6503B16	2" F. NPT	2" F. NPT					9,750,000

\* Maximum flow is based on 10 PSIG inlet and 20% droop.