

Manifolds

Tee Check Manifolds

1350R and 1450R

Application

For use in systems that require uninterrupted gas service during cylinder exchange. Especially for summer cottages, mobile homes and single appliance loads.

- Floating disc check minimizes discharge of gas to the atmosphere when empty cylinder is being replaced.

Features

- Floating disc check minimizes discharge of gas to the atmosphere when empty cylinder is being replaced.

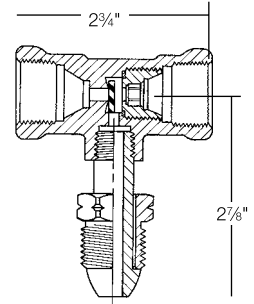
Materials

Body Forged Brass
 Seat Discs Resilient Rubber

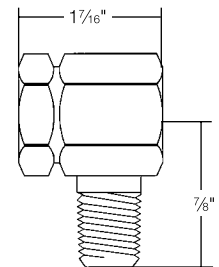
Part Number	Inlet Connections	Outlet Connection
1350R	F. POL	M. POL
1450R	¼" Inverted Flare	¼" M. NPT



1350R



1450R



Multiple Cylinder Manifolds

1350E and 1450E

Application

Use with suitable pigtailed to connect multiple cylinders together. Ideal for loads that require more than one cylinder to be in service at a time.

Features

- Provides a three-way tee function without an internal disc check.

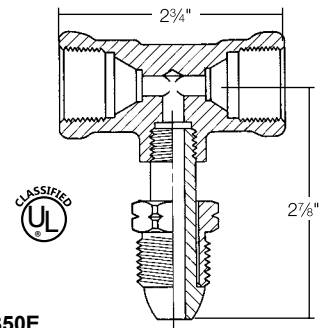
Materials

Body Forged Brass

Part Number	Inlet Connections	Outlet Connection
1350E	F. POL	M. POL
1450E	¼" Inverted Flare	¼" M. NPT



1350E



1450R

