

Compact 3/4" Back-Mount Second Stage Regulator LV3403B66R

Application

The LV3403B66R Back Mount Regulator is designed to reduce first stage pressure of 5-10 PSIG down to burner pressure normally 11" w.c. Designed as a second stage regulator for smaller applications with flow requirements up to 450,000 BTU/hr. and are ideal for homes, mobile homes, and cottages.

Features

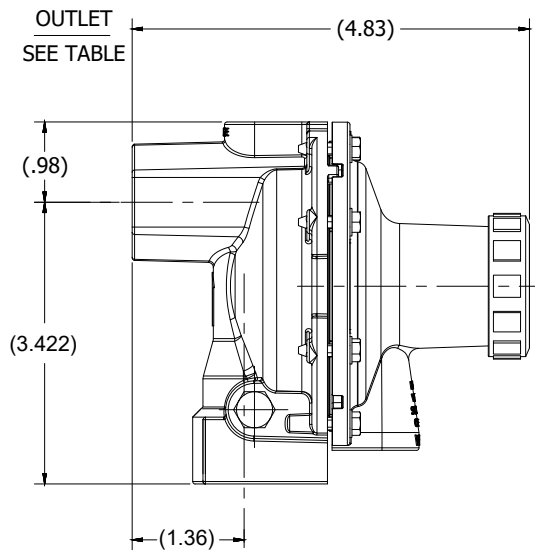
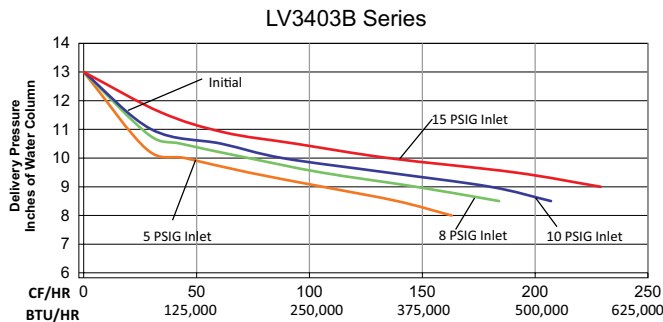
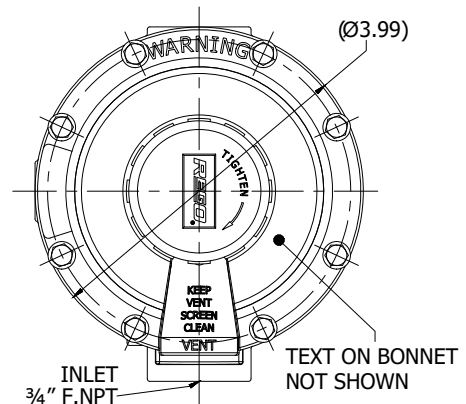
- Built in 1/8" F.NPT pressure taps on both regulator inlet and outlet side of the regulator. Plugs can be removed with a wrench.
- Large vent helps prevent vent blockage, it is tapped for 3/8" F.NPT for vent pipe away applications.
- With 15 PSIG inlet pressure, the regulator is designed to not pass more than 2 PSIG downstream with the seat disc removed per UL 144 specifications.
- Incorporates an integral relief valve per UL 144 specifications.
- Unique bonnet vent profile minimizes vent freeze over.
- Compact design saves space.
- Patented laser-engraved information is easy to see and matches available stickers for gas check and record keeping

Materials

BodyZinc
 BonnetZinc
 Spring Steel
 Seat Disc Resilient Rubber
 Diaphragm Integrated Fabric and Synthetic Rubber



LV3403B66R



Ordering Information

Part Number	Inlet Connection	Outlet Connection	Orifice Size	Factory Delivery Pressure	Adjustment Range	Bonnet Vent Position	Vapor Capacity BTU/hr*
LV3403B66R	3/4" F.NPT	3/4" F.NPT	7/32"	11" w.c. At 10 PSIG Inlet	9" to 13" w.c.	Over Inlet	450,000

* Maximum flow based on 10 PSIG inlet and 9" w.c. delivery pressure.