

Dielectric Second Stage Regulators for 2 PSI Systems LV5503YD Series

Application

Designed to reduce first stage pressure of 10 PSIG down to 2 PSIG. A line pressure regulator is required downstream to reduce the 2 PSIG to a nominal 11" w.c.

RegO Dielectric second stage regulators for 2 PSI systems are engineered to isolate potential electrical current from metallic piping before entering a building. The use of a separate dielectric union is not necessary because the regulator contains a dielectric union as part of the inlet assembly. Available in both SAE Flare and F.NPT inlet connection.

Features

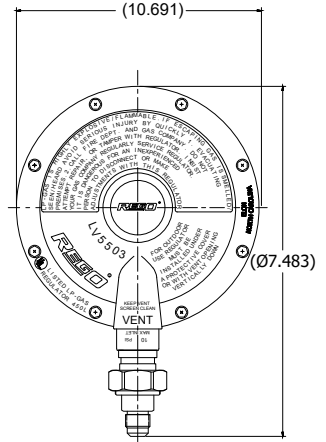
- F. NPT Dielectric Union is made of Brass with inlet Portion Made of Plated Steel
- M. SAE Flare inlet connection made of solid Brass
- Large vent helps prevent blockage and has 3/4" F.NPT for vent piping.
- With 15 PSIG inlet pressure, regulator is designed to not pass more than 5 PSIG with the seat disc removed.
- Incorporates an integral relief valve.
- Replaceable valve orifice and valve seat disc.
- Straight line valve closure reduces wear on seat disc.
- Unique bonnet vent profile minimizes vent freeze over when properly installed.
- Large molded diaphragm is extra sensitive to pressure changes.
- Built in pressure tap has plugged 1/8" F.NPT outlet. Plug can be removed with a 3/16" hex allen wrench.
- Select blue finish.

*Backmount Design

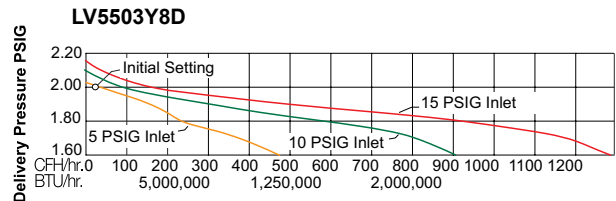
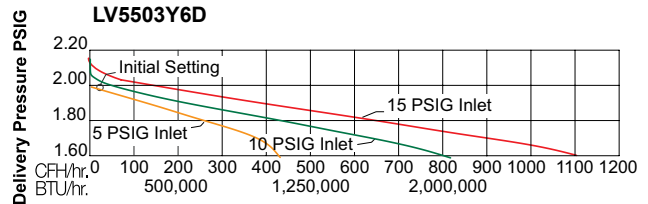
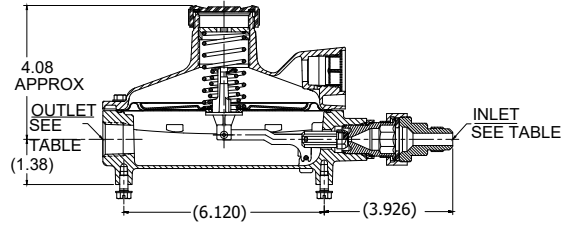
Mounts directly to house line piping. Eliminates need for union joints, elbows, and mounting brackets. Quick and easy to install.

Materials

Body	Die Cast Aluminum
Bonnet	Die Cast Aluminum
Nozzle Orifice	Brass
Spring	Steel
Valve Seat Disc	Resilient Rubber
Diaphragm	Integrated Fabric and Synthetic Rubber
Dielectric Union Body	Brass
Dielectric Union Inlet	Plated Steel



LV5503Y6D



Ordering Information

Part Number	Inlet Connection	Outlet Connection	Orifice Size	Adjustment Range	Bonnet Vent Position	Vapor Capacity BTU/hr. Propane***
LV5503Y16D	1/2" M. Flare	3/4" F.NPT	1/4"	2 PSIG @ 10 PSIG Inlet	Over Inlet	2,200,000
LV5503Y18D		1" F.NPT	9/32"			
LV5503Y56D	5/8" M. Flare	3/4" F.NPT				
LV5503Y58D		1" F.NPT				
LV5503Y46D	1/2" F. NPT	3/4" F.NPT	1/4"			
LV5503Y48D		1" F.NPT	9/32"			
LV5503Y66D	3/4" F. NPT	3/4" F.NPT	1/4"			
LV5503Y68D		1" F.NPT	9/32"			

Maximum flow is based on 10 PSIG inlet pressure and 1.5 PSIG delivery pressure.