

# External “Pop-Action” Supplementary Pressure Relief Valves for Small ASME Containers and DOT Cylinders 3127 and 3129 Series

## Application

Designed for use as a supplementary relief valve on small ASME above ground and underground containers. They may also be used as a primary or secondary relief device on DOT cylinders, or as hydrostatic relief valves.

All working components of these relief valves are outside the container connection, so the valves must be protected from physical damage.

## Features

- “Pop-action” design keeps product loss at a minimum.
- Relief valve designed to automatically reseal firmly after discharge.
- Resilient seat disc provides a “bubble-tight” seal.

## Materials

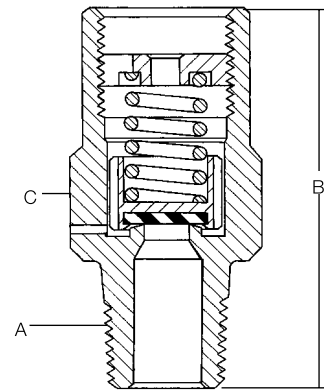
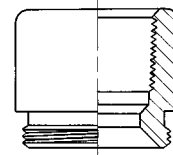
Body ..... Brass  
 Spring ..... Stainless Steel  
 Seat Disc ..... Resilient Rubber



**3129-10 Pipe Away Adapter**



**3127 Series**



## Ordering Information

Part Number	Container Type	Start To Discharge Setting PSIG	A Container Connection M. NPT	B Overall Height (Approx.)	C Wrench Hex Section	Flow Capacity SCFM/Air		Suitable for Tanks w/Surface Area Up To:*	Accessories		
						UL (At 120% of Set Pressure)	RegO Rated at 480 PSIG***		Protective Cap	Pipeaway Adapter	
										Part Number	Outlet Size
3127G	ASME	250	1/4"	1 3/32"	7/8"	295	-	-	9103-54	-	-
3129G			1/2"	2 19/32"	1 1/8"	465	-	-	3129-40P	3129-10	1/2" F. NPT
3127K	DOT	375	1/4"	1 3/32"	7/8"	-	450	100 lbs./Propane	9103-54	-	-
3129K			1/2"	2 19/32"	1 1/8"	-	780	200 lbs./Propane	3129-40P	3129-10	1/2" F. NPT

\* Flow rates shown are for bare relief valves. Adapters and pipeaways will reduce flow as discussed in the Foreword section.

\*\* Not UL or ASME rated. RegO rated at 480 PSIG.

\*\*\* Meets DOT requirements.