

Single Check Vapor Equalizing Valves for ASME and DOT Containers with Supplementary Excess Flow Valves

Application

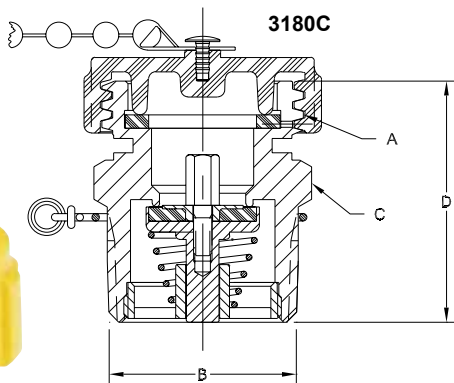
Designed for use with RegO Excess Flow Valves to facilitate loading operations by providing equalization of pressures in the supply and storage containers. Also may be used as a spare or replacement part. These vapor equalizing valves must never be installed directly into container couplings. They must be used with the appropriate excess flow valve to comply with NFPA Pamphlet #58.

Features

- Specifically for use with RegO Excess Flow Valves.
- Specify RegO Vapor Equalizing Valves on all your original tank purchases to ensure quality and dependable performance.

Materials

Body Brass
 Spring Stainless Steel
 Seat Disc Synthetic Rubber
 Seal Synthetic Rubber
 Cap Plastic



3170



Ordering Information

Part Number		A. ACME Connection	B. Tank Connection M.NPT	C. Wrench Hex Flats	D. Effective Length (Approx.)	Approximate Closing Flow at 100 PSIG Inlet Pressure (SCFH/Propane Vapor)	For Use With Excess Flow Valve:
Basic	With Cap & Chain						
3170	-	1¼"	¾"	1¼"	1⅞"	7.600	3272E
-	3180C	1¼"	1¼"	1⅞"	1½"	10,000	3282A