

# DOT and ASME Multivalves® for Vapor Withdrawal 6532, 6533, 6542, 6543 Series and PT6542, PT6543 Series with Presto-Tap®

## Application

These Multivalves® permit vapor withdrawal from ASME containers up to 50 sq. ft. surface area and DOT containers up to 420 lbs. propane capacity. They allow on-site cylinder filling without interrupting gas service.

## Features 6542 and 6543

- Incorporates high capacity filler valve with double back checks, service valve, fixed liquid level gauge, pressure relief valve and built-in baffle tube into one compact unit.
- Higher filling capacity is combined with back check protection by placing the secondary back check at the bottom of the baffle tube, creating a larger flow area through the body.
- Pre-drilled hole in 1 1/4" wrenching flat accepts a drive screw for attaching relief cap and chain.
- With the Service Valve closed the Pressure Test / Presto-Tap® port is isolated from the container. This will allow a high pressure leak test to be conducted without disconnecting the pigtail from the service valve. For more information, see page C12 on this feature.

## Features 6532 and 6533

- Similar but smaller than the 6542 and 6543, these are generally used for replacement on existing containers with 3/4" NGT openings.
- Secondary back check placed in the body of the valve to help minimize reverse flow in the event the upper back check shears off or requires replacement.
- The MultiBonnet® option allows quick and easy repair of bonnet.

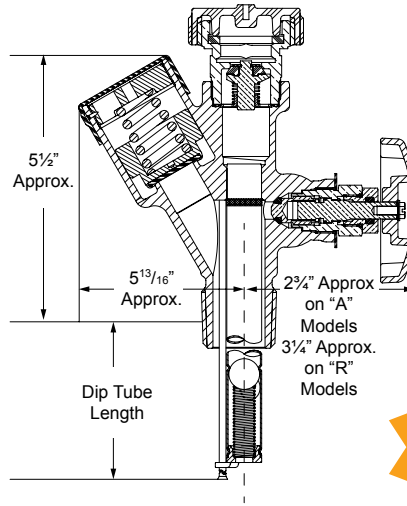
## Materials

Body ..... Forged Brass  
 Handwheel..... Aluminum Die Cast  
 Valve Stems..... Brass  
 O-Rings ..... Resilient Rubber  
 Seat Disc (shut-off valve) ..... Nylon  
 Seat Disc (others)..... Resilient Rubber  
 Relief Spring ..... Stainless Steel

## Ordering Information

Part Number	Bonnet Style	Application	Container Connection	Service Connection	Filling Connection	Fixed Liquid Level Vent Valve Style	Dip Tube Length with Deflector	Pressure Relief Valve Setting	For Use In Cylinders w/Propane Capacity Up To:**	UL Flow Capacity @ 120% of set pressure SCFM (air)	Ready To Go™	
6532A12.0	Standard	ASME*	3/4" M. NGT				12.0"	250 PSIG	-	1180	Plugged	
6532R12.0	MultiBonnet®											1" M. NGT
6542A12.0	Standard		1" M. NGT									
PT6542A12.0	MultiBonnet®											
6542R12.0	Standard								1530	Yes		
PT6542R12.0	MultiBonnet®										Plugged	
6533A10.5	Standard	DOT	3/4" M. NGT	F. POL (CGA 510)	1 3/4" M. ACME	Knurled	10.5"	375 PSIG	420 lbs. Propane	-	Plugged	
6533R10.5	MultiBonnet®						11.7"					
6533A11.7	Standard											11.7"
6533R11.7	MultiBonnet®											
6543A11.1	Standard		1" M. NGT	11.1"			11.7"				Yes	
PT6543A11.1	MultiBonnet®										11.7"	
6543R11.1	Standard											11.7"
PT6543R11.1	MultiBonnet®											
6543A11.7	Standard			11.7"								Yes
PT6543A11.7	MultiBonnet®											11.7"
6543R11.7	Standard											
PT6543R11.7	MultiBonnet®											

\*\* Per CGA Pamphlet S-1.1.



PT6543R

## Liquid Filling Rates

Part Number	Approximate Filling Rate -- Liquid Flow, GPM			
	Pressure Drop Across Valve			
	10 PSIG	25 PSIG	50 PSIG	100 PSIG
6532A12.0/6532R12.0	11	16	23	28
6542A12.0/6542R12.0	23	32	46	57
6533A10.5/6533R10.5	11	16	23	28
6533A11.7/6533R11.7				
6543A11.1/6543R11.1	23	32	46	57
6543A11.7/6543R11.7				
PT6542A12.0/6542R12.0				
PT6543A11.1/6543R11.1				
PT6543A11.7/6543R11.7				