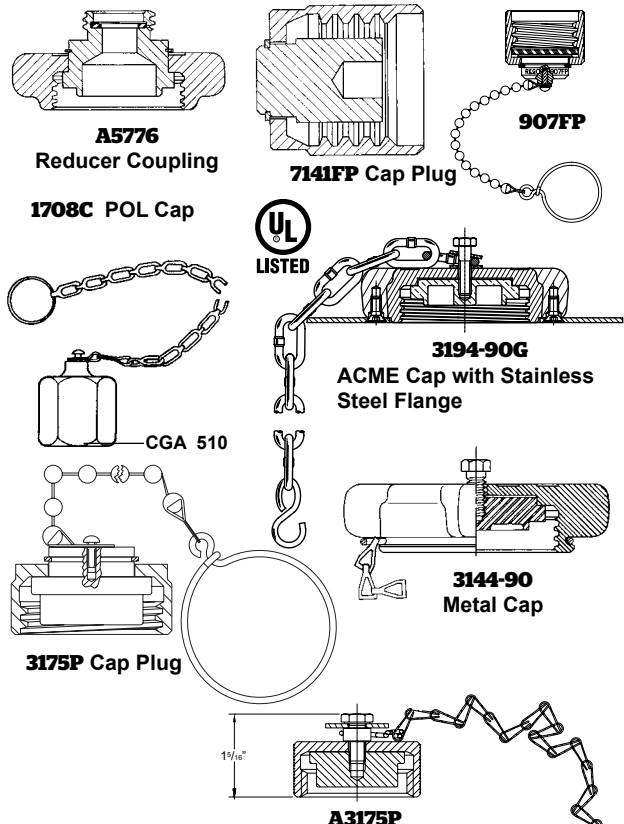
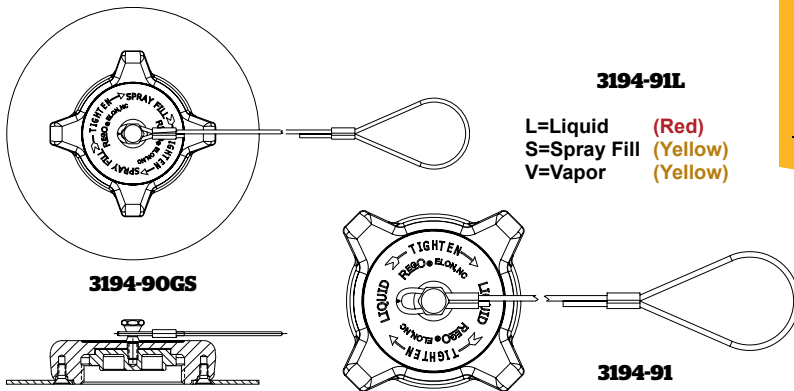


Caps and Reducers

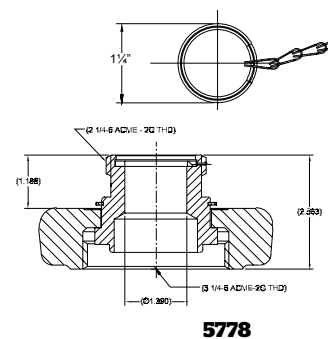
Ordering Information

Cap With Chain & Ring		Cap Only Part Number	Material	Thread Connection
Part Number	Ring Fits Pipe Size Up To:			
3144-91	3/4"	3144-9P	ABS	1 1/4" F. ACME
3174-91		3174-9P		1 3/4" F. ACME
3174-93		3174-9P		1 3/4" F. ACME
A8016-9S	1 1/4"	A8016-9P	Nylon	1 3/4" F. ACME
1708C		-	Brass	F. POL (CGA 510)
7141FP	-	-	Brass	1 1/4" F. ACME
3175P	1 1/4"	-	Steel	1 3/4" F. ACME
A3175P		-	Brass	2 1/4" F. ACME
3184-90	-	-	Brass	3 1/4" F. ACME
3194-90		-	Steel	2 1/4" F. ACME
-	-	5776*	Steel	3 1/4" F. ACME
A3184-90		-		2 1/4" F. ACME
A3194-90		-		3 1/4" F. ACME
-	Adjustable Cable	A5776*	Brass	1 5/16" F. ACME
907FP		1"		3 1/4" ACME
3194-90G		-		
3194-90GS		-		
3194-91L		-		
3194-91S		-		
3194-91V		-		
A3194-91L		-		
A3194-91S	-			
A3194-91V	-	Steel	3 1/4" ACME	
5778	3 1/4" F. ACME	-	Brass	2 1/4" M. ACME

* Reduces to 1 1/4" M. ACME



REGO
10
 YEAR
 WARRANTY



ACME Plugs

Specifically designed to withstand the everyday abuse given to hose end valves on delivery trucks and hose end couplings on risers in bulk plants, these rugged plugs protect the coupling tip as well as prevent the entrance of dirt, dust, snow and rain. They also prevent possible gas contamination from these same sources. The heavily ribbed outer surface permits hand-tight make-up.

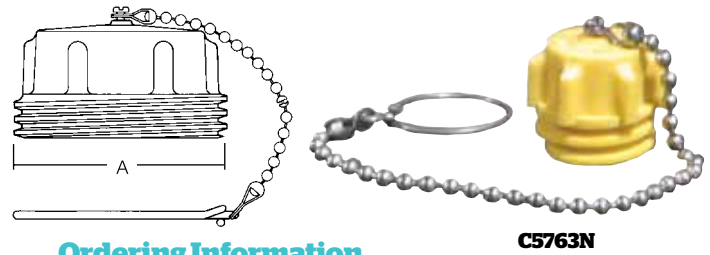
These plugs are available in a choice of four sizes which may be used with liquid as well as vapor type couplings. As a convenience, the nylon plugs have a retaining chain and ring to prevent loss during a transfer operation.

All are suitable for LPG or anhydrous ammonia service except the brass 5765PR, which is for LP-Gas only.

Not intended for use as pressure closures.



REGO
10
 YEAR
 WARRANTY



Ordering Information

Part Number	Material	A (M. ACME)	Chain & Ring Fits Pipe Size Up To:
C5763N	Nylon	1 1/4"	3/4"
C5765N		1 3/4"	1 1/4"
5765PR	Brass	-	Not Applicable
C5767N	Nylon	2 1/4"	1 1/4"
C5769N		3 1/4"	2"